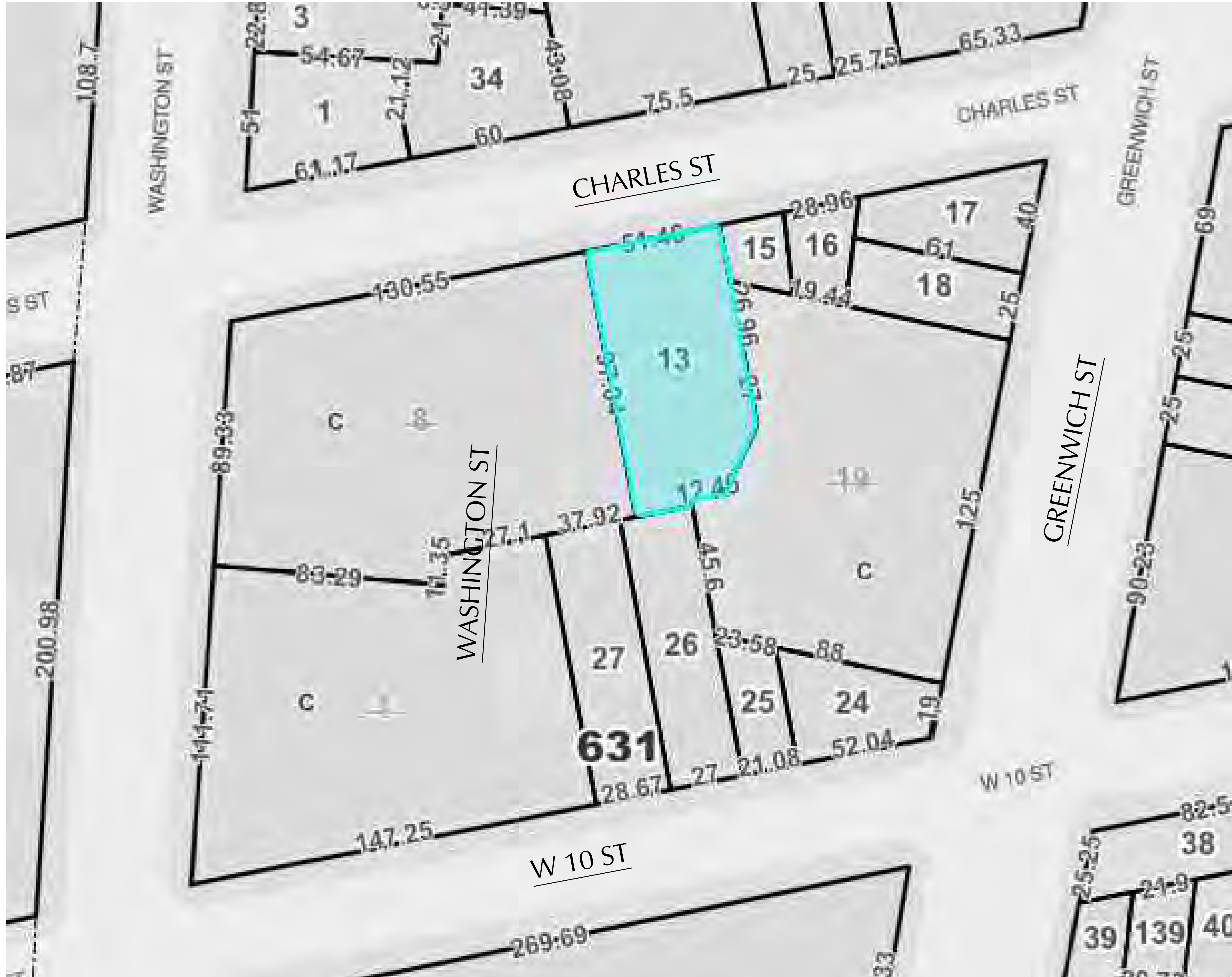


134 Charles Street
Front, Side, and Rear Window Replacement



Greenwich Village Historic District Extension

Date: 1911-12 (NB 647-11); 1989 (Alt. 1395-89) Architect: Van Vleck & Goldsmith (1911); Victor Caliandro (1989) Original Owner: American Railway Supply Co. (William H. Woolverton, pres.)

Ownership History 1911 American Railway Supply Co. (William H. Woolverton, pres.) 1938 Partition Servicing Co. (Bernard F. Gaffney, pres.) 1961 Dewey, Michael S., and Ginger E. Carver/ 340 West 24 Corp. (Dewey Carver) 1965 Walter P. Chrysler, Jr. 1973 Alan Greenberg 1982 Charles Venture/ Aaron Green/ Jennifer Bartlett Commercial Tenants American Railway Supply Co., brass tags manufacturer (1912-45); Partition Servicing Co., metal partitions and stamping metal badges (1932-56); Ace Contracting Co. (1950-56); art gallery (1965); Rothzeid Kaiserman, architects (1986)

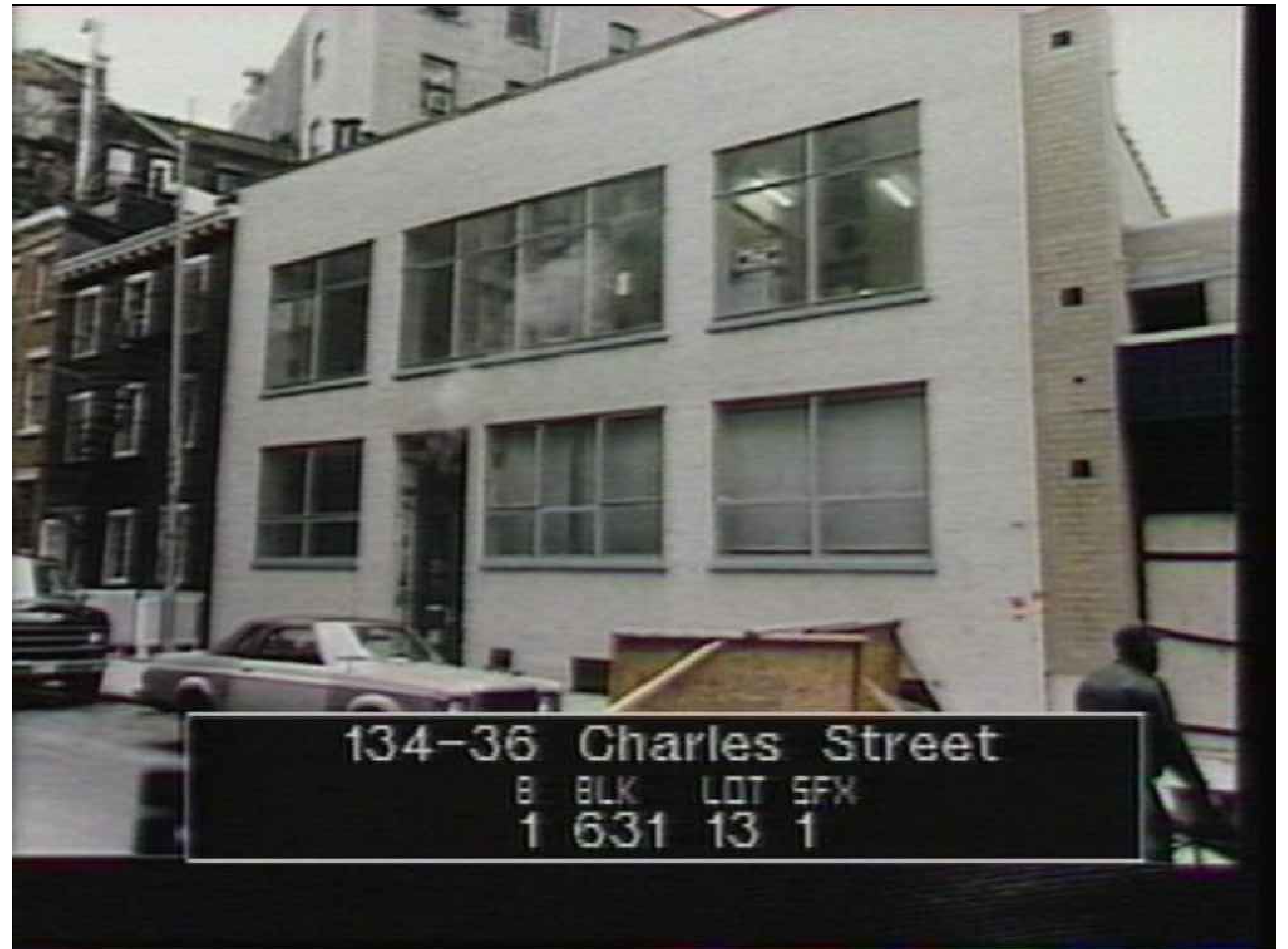
History The lower two stories of this factory structure were built in 1911-12 to the design of Van Vleck & Goldsmith for the American Railway Supply Co., a brass tags manufacturing firm. The company was located in this building until at least 1945. American Railway was selected in 1932 to supply the "buttons and lapel insignia for employees... and badges for motormen, conductors, guards and porters" of New York's subway system. The Partition Servicing Co., manufacturer of metal partitions and metal badge stampers, acquired the building in 1938. It was sold in 1961 to investors Dewey, Michael S., and Ginger E. Carver (later 340 West 24 Corp.). The building was converted in 1965 (Alt. 663-65) into an art gallery and residence for Walter P. Chrysler, Jr. (1909-1988), the automobile heir, who was also a leading art and artifacts collector. At the time of the sale of his \$100,000 stamp collection in 1967, the New York Times mentioned that the sale "was consummated ... in a hideaway office Mr. Chrysler maintains in New York." Chrysler sold the property in 1973 to Alan Greenberg, the owner of an antiques business on Bleecker Street. One of the later owners was the artist Jennifer Bartlett. A third story was added to the structure by architect Victor Caliandro in 1989 (Alt. 1395-89). Architectural Features The building is three stories, constructed in two phases. Two stories were built with brick in 1911-12 and the third story in 1989, apparently with cinder block (painted). There is no ornamentation. The windows have been replaced twice and are currently single-pane windows with hoppers at the first and third floors and transoms at the second floors. The double-leaf entrance doors have three lights and a transom. The east and west facades have windows and there are three metal chimney pipes at the east facade.

Architectural Features The building is three stories, constructed in two phases. Two stories were built with brick in 1911-12 and the third story in 1989, apparently with cinder block (painted). There is no ornamentation. The windows have been replaced twice and are currently single-pane windows with hoppers at the first and third floors and transoms at the second floors. The double-leaf entrance doors have three lights and a transom. The east and west facades have windows and there are three metal chimney pipes at the east facade.

Alterations facades painted; intercom, light fixture and alarm installed in entranceway



1940's Tax Photo



1980's Reference Photo



Existing Conditions - Front Facade



Existing Conditions - Front Facade



1 EXISTING CELLAR WINDOW- W 1 A (A)



2 EXISTING CELLAR WINDOW- W 1 B (A)



3 EXISTING CELLAR WINDOW-W 1 B (A)



4 EX. CELLAR WINDOW-W 9 A (F)



5 EX. CELLAR WINDOW-W 9 F



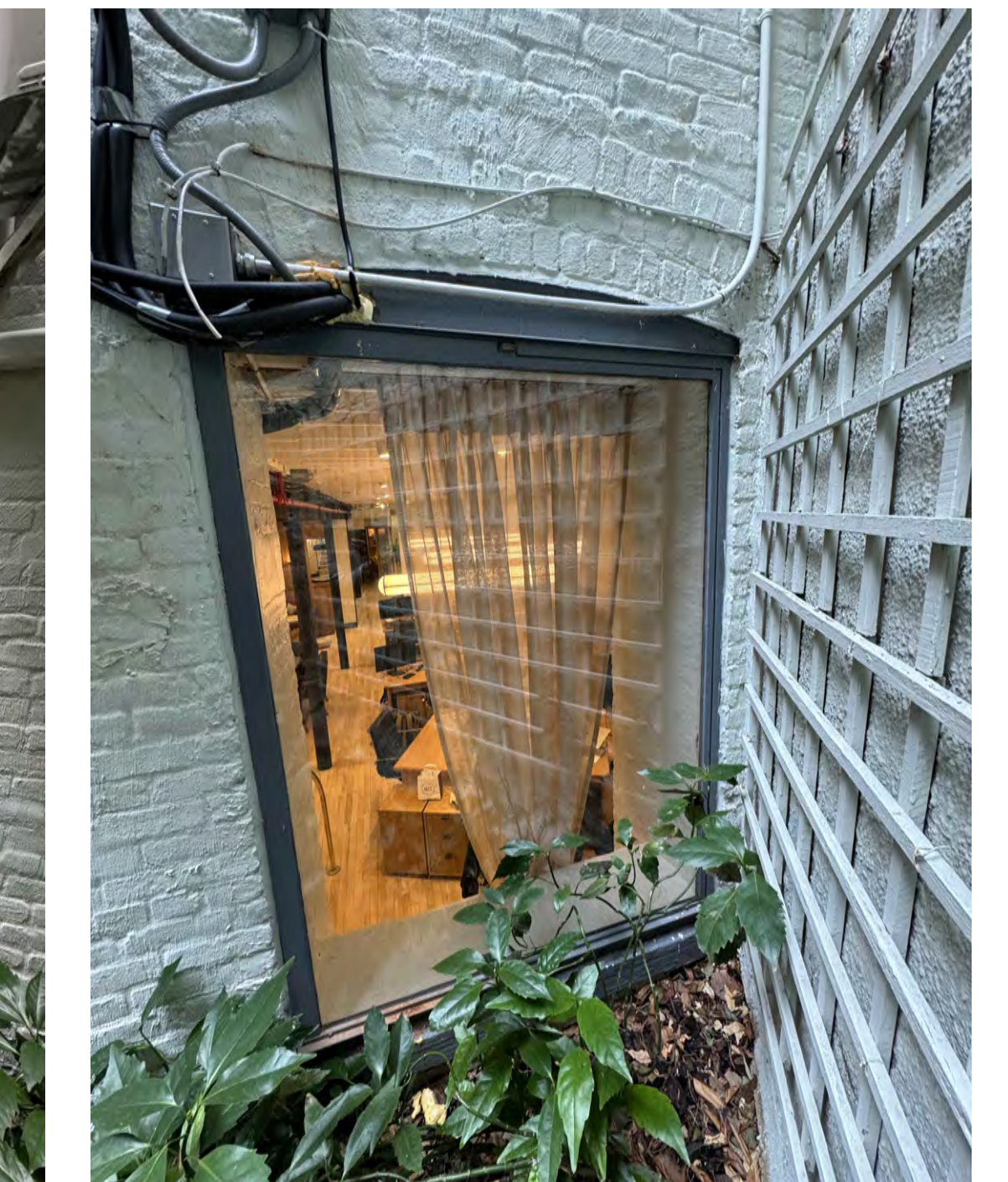
6 EX. CELLAR WINDOW-W 9 F



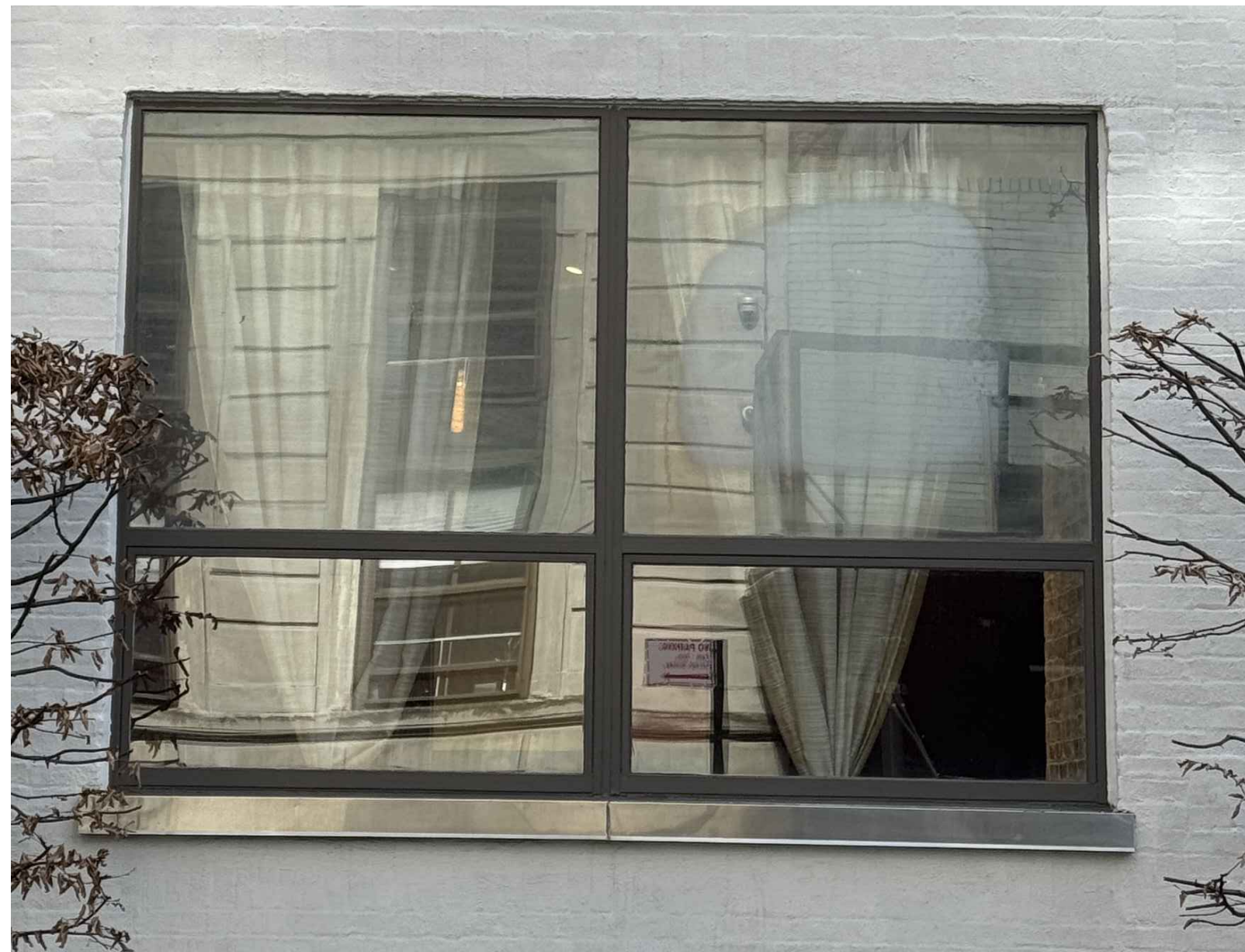
7 EX. CELLAR WINDOW-W 10 G



8 EX. CELLAR WINDOW-W 9 F



9 EX. CELLAR WINDOW-W 9 F



1 EX. WINDOW- W 3 C



2 EX. WINDOW- W 4 C



3 EX. DOOR- W 2 B



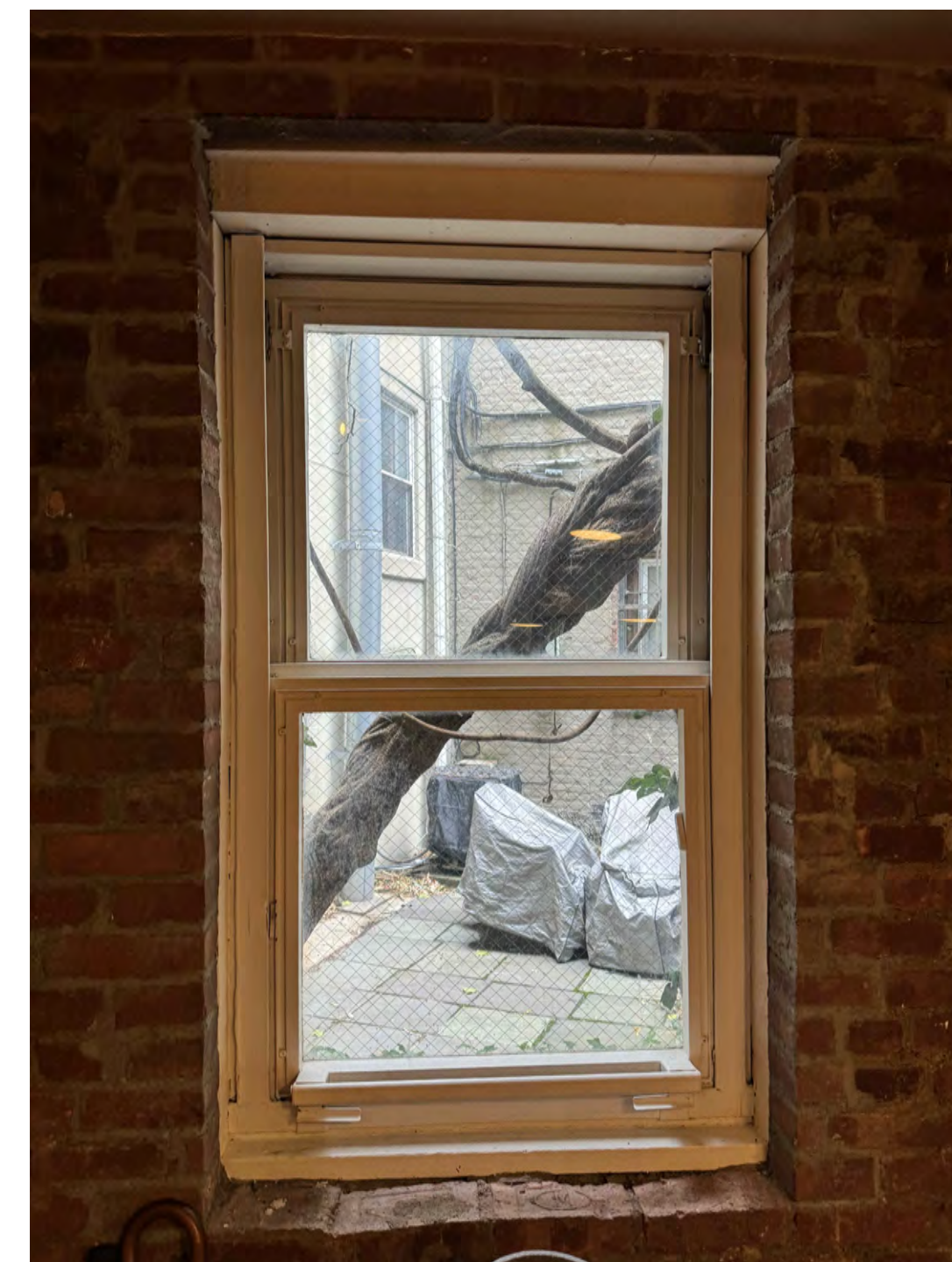
4 EX. WINDOW- W 3 C



5 EX. WINDOW- W 21 M



6 EX. WINDOW- W 21 M



7 EX. WINDOW- W 16 K



8 EX. WINDOW- W 16 K



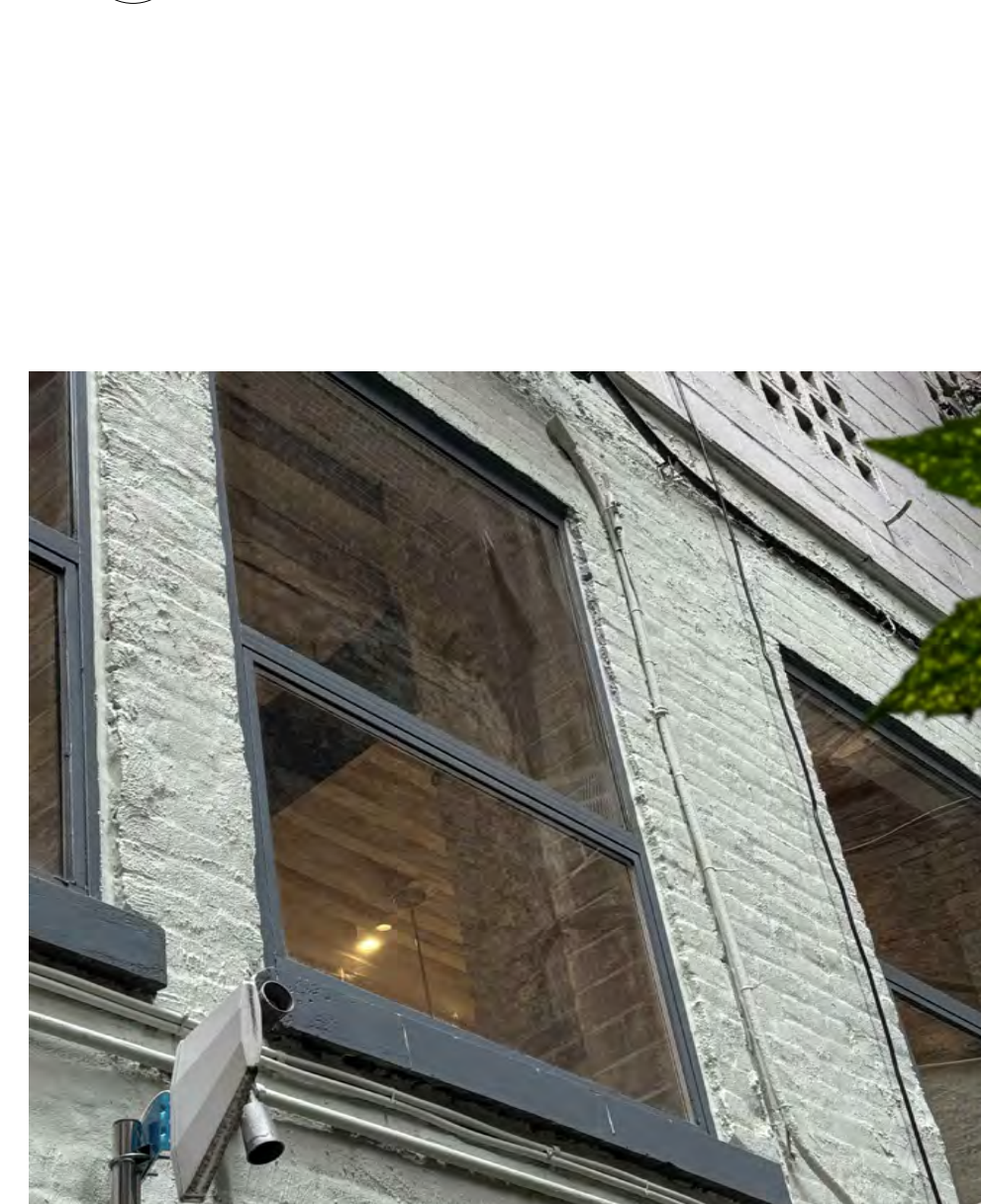
9 EX. WINDOW- W 11 H



10 EX. WINDOW- W 11 H



11 EX. WINDOW- W 11 H



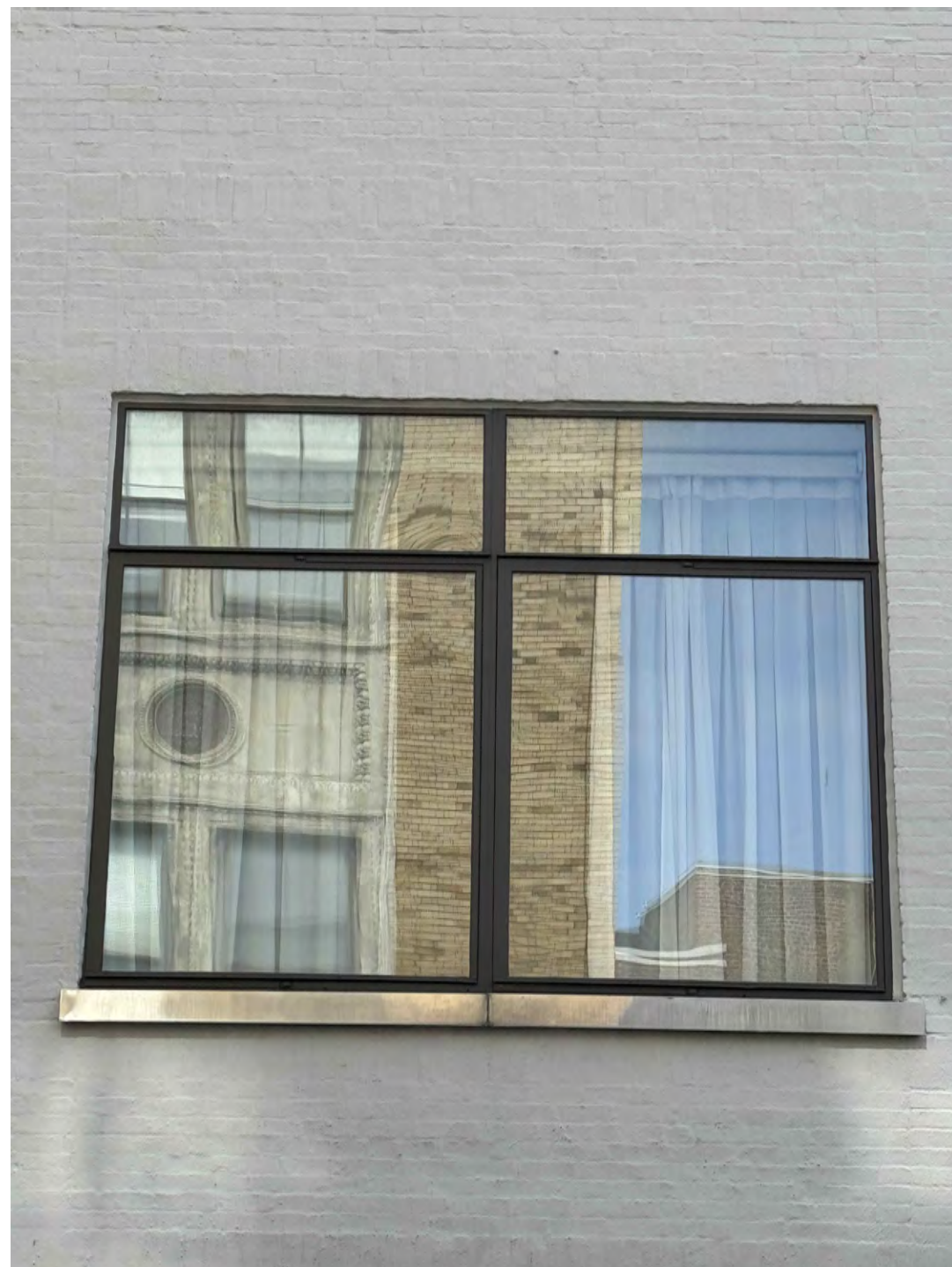
12 EX. WINDOW- W 11 H



13 EX. WINDOW- W 11 H



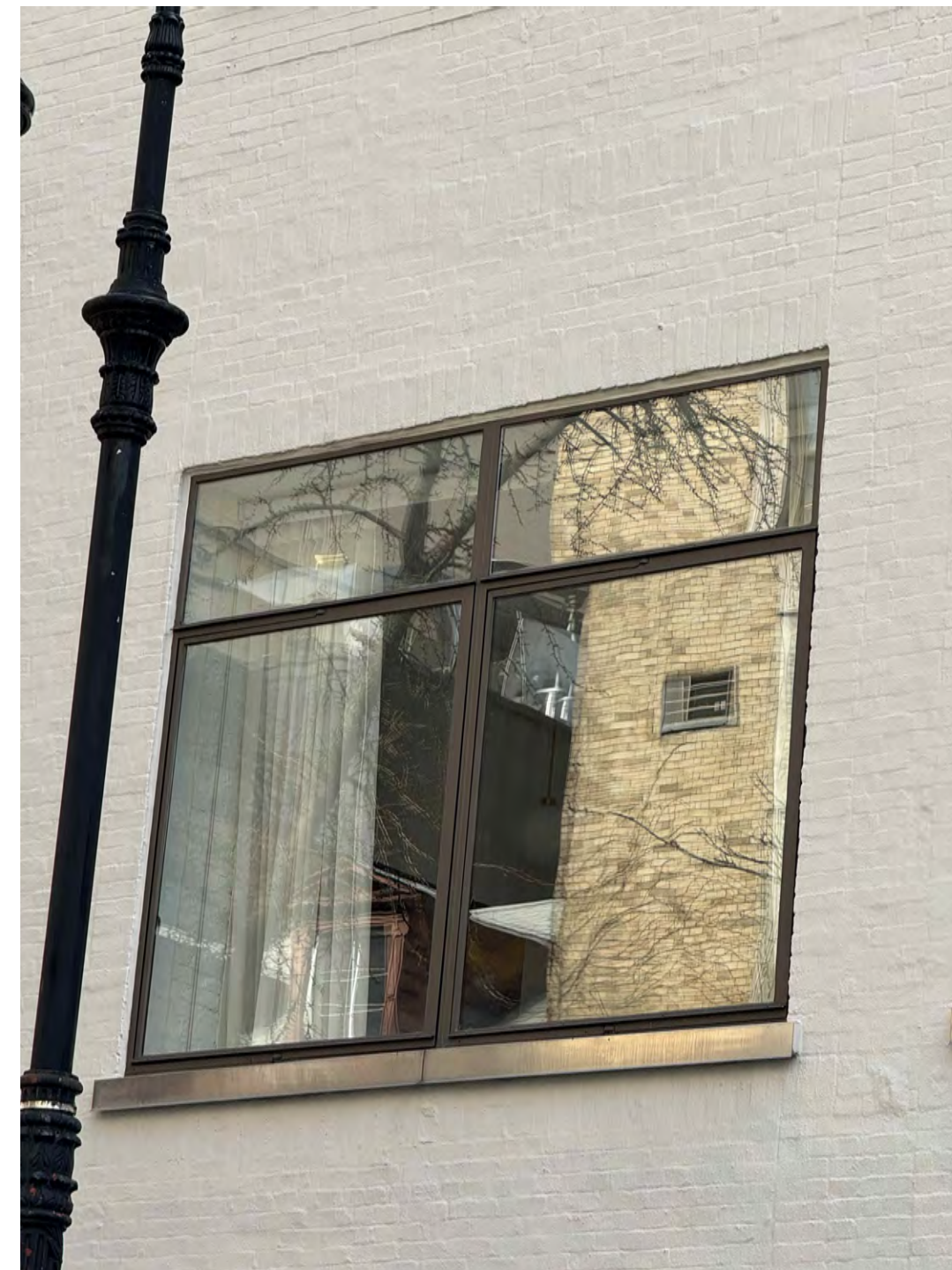
14 EX. WINDOW- W 11 H



1 EX. WINDOW W 5 D



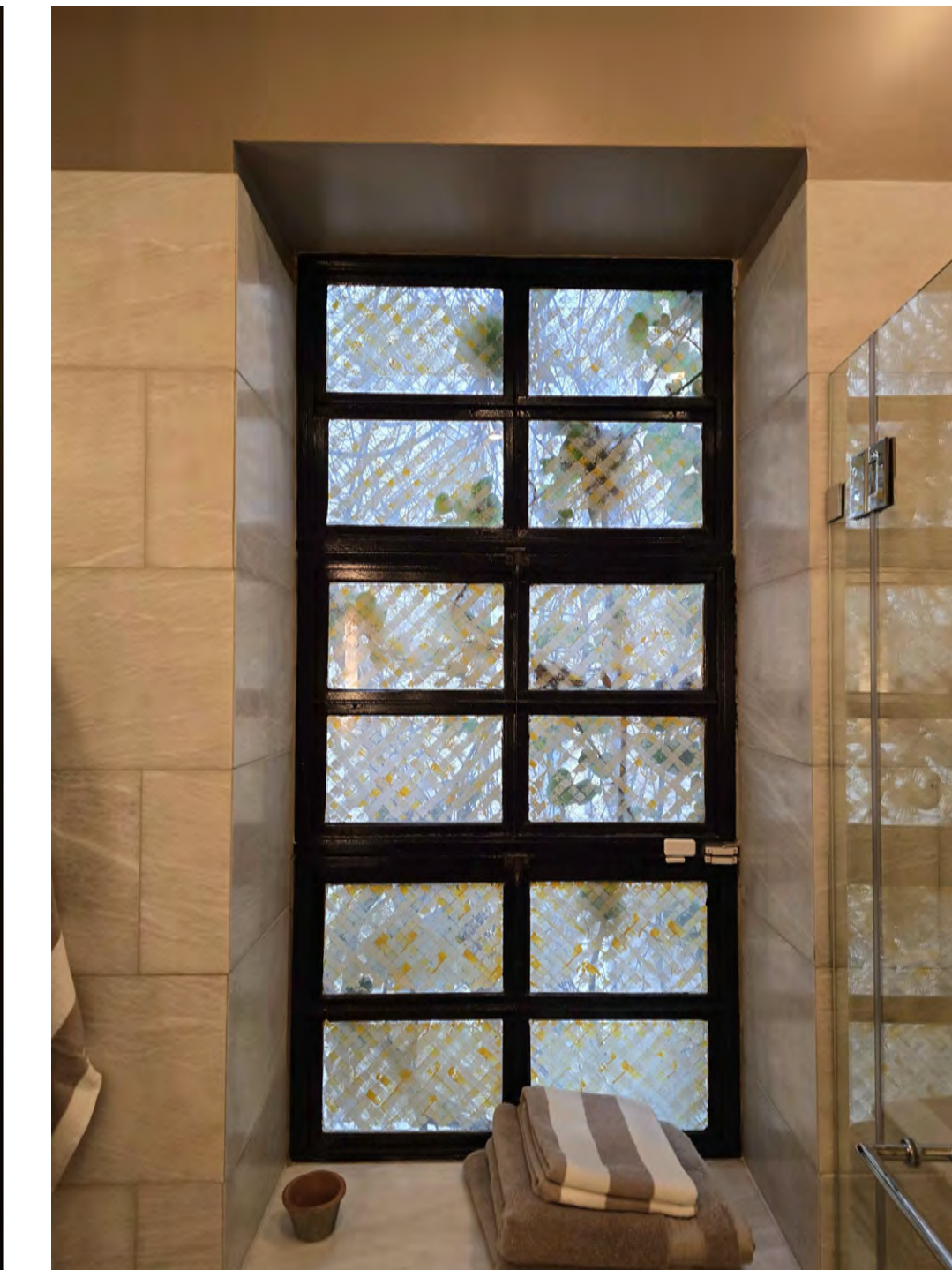
2 EX. WINDOW-W 6 E



3 EX. WINDOW- W 5 D



4 EX. WINDOW- W22 M



5 EX. WINDOW- W 22 M



6 EX. WINDOW- W 17 F



7 EX. WINDOW- W 12 H



8 EX. WINDOW-W 12 H



9 EX. DOOR- W 13 I



10 EX. DOOR- W 13 I



11 EX. WINDOW W 12 H



12 EX. WINDOW- W 12 H



1 EX. WINDOW- W 18 F



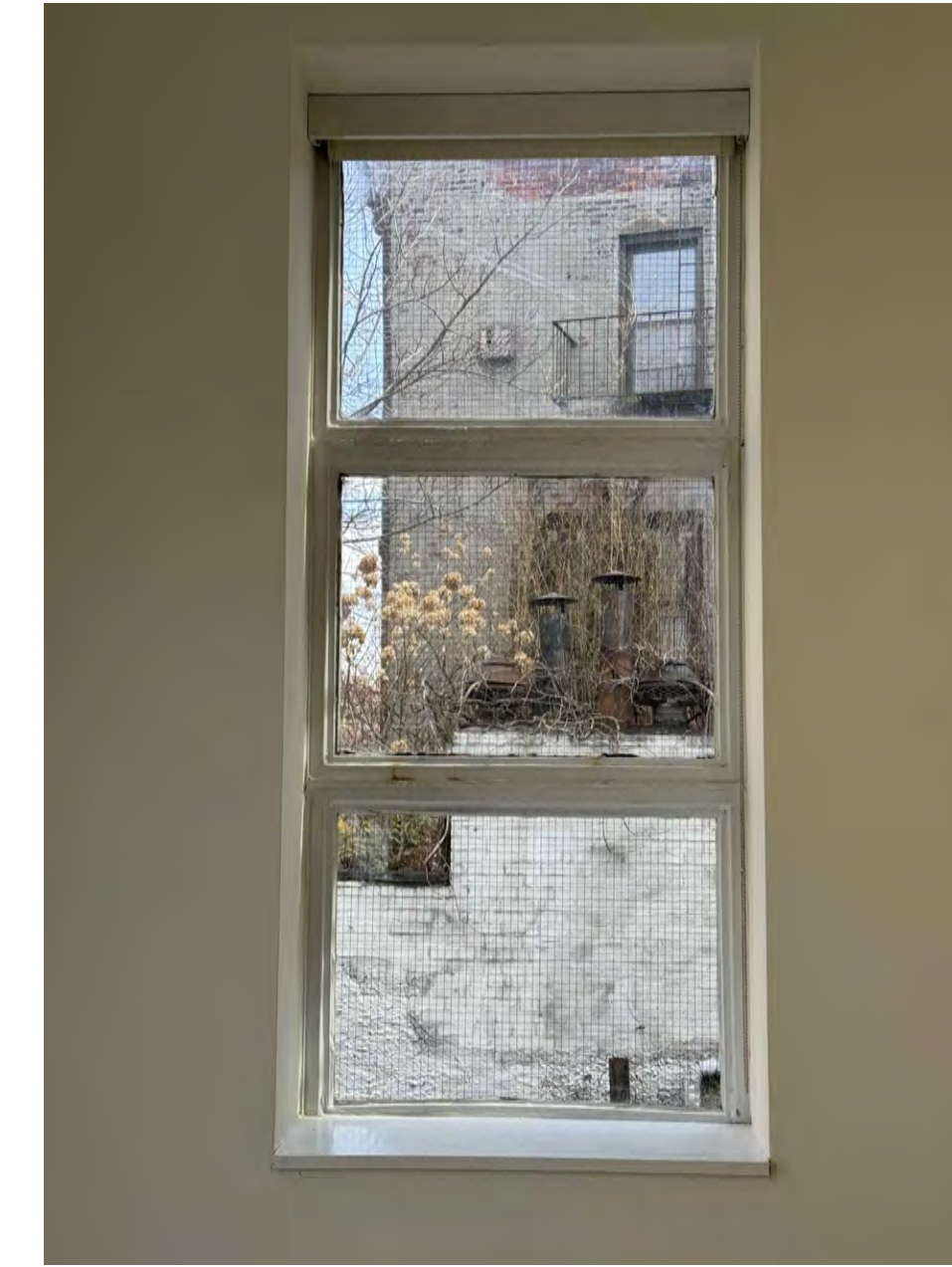
2 EX. DOOR- W 25 J



3 EX. WINDOW- W 19 F



4 EX. WINDOW-W 24 F



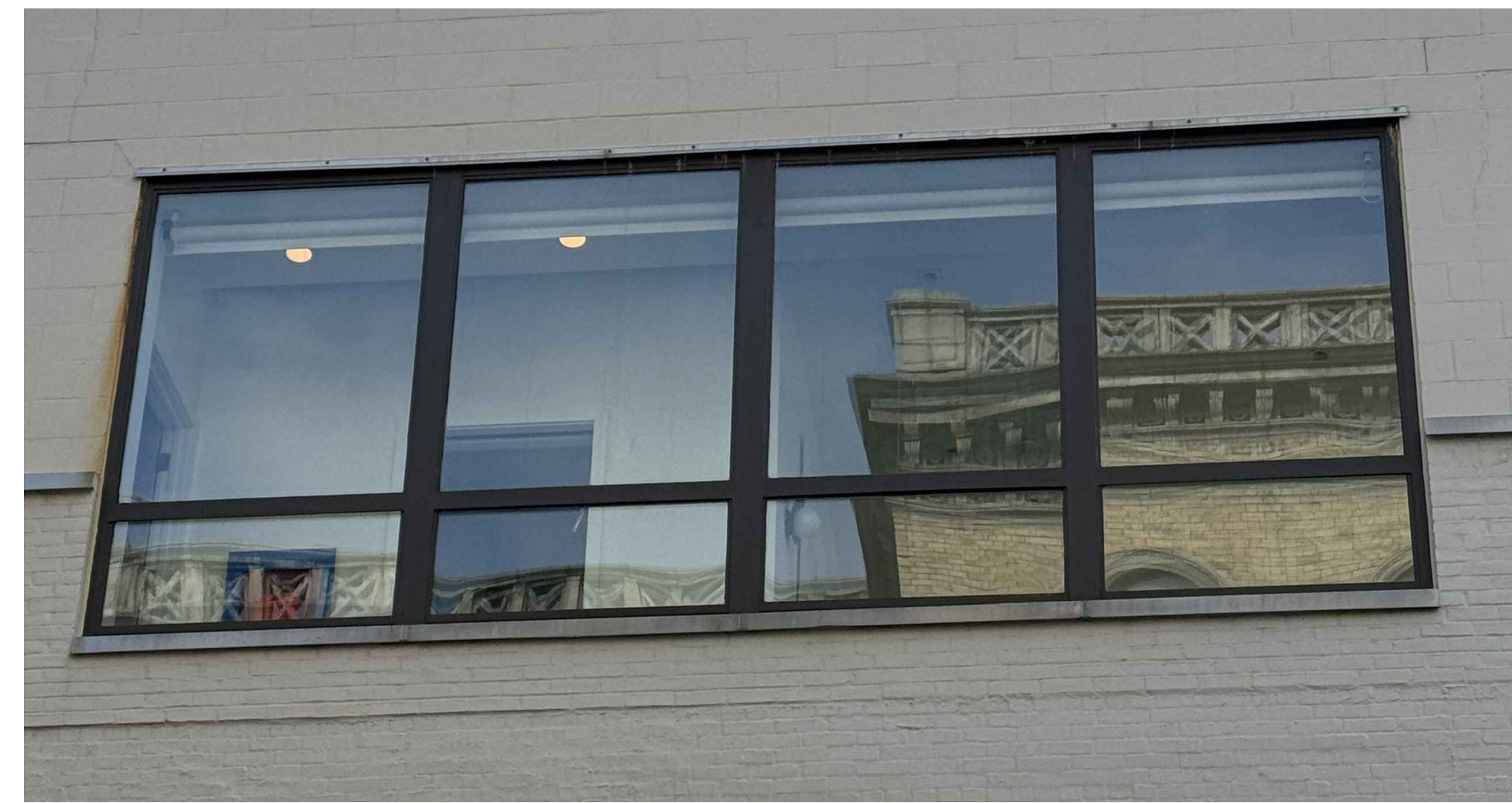
5 EX. WINDOW-W 23 M



6 EX. WINDOW- W 23 M



7 EX. WINDOW- W 7 D



8 EX. WINDOW-W 8 E



9 EX. WINDOW- W 7 D



10 EX. WINDOW-



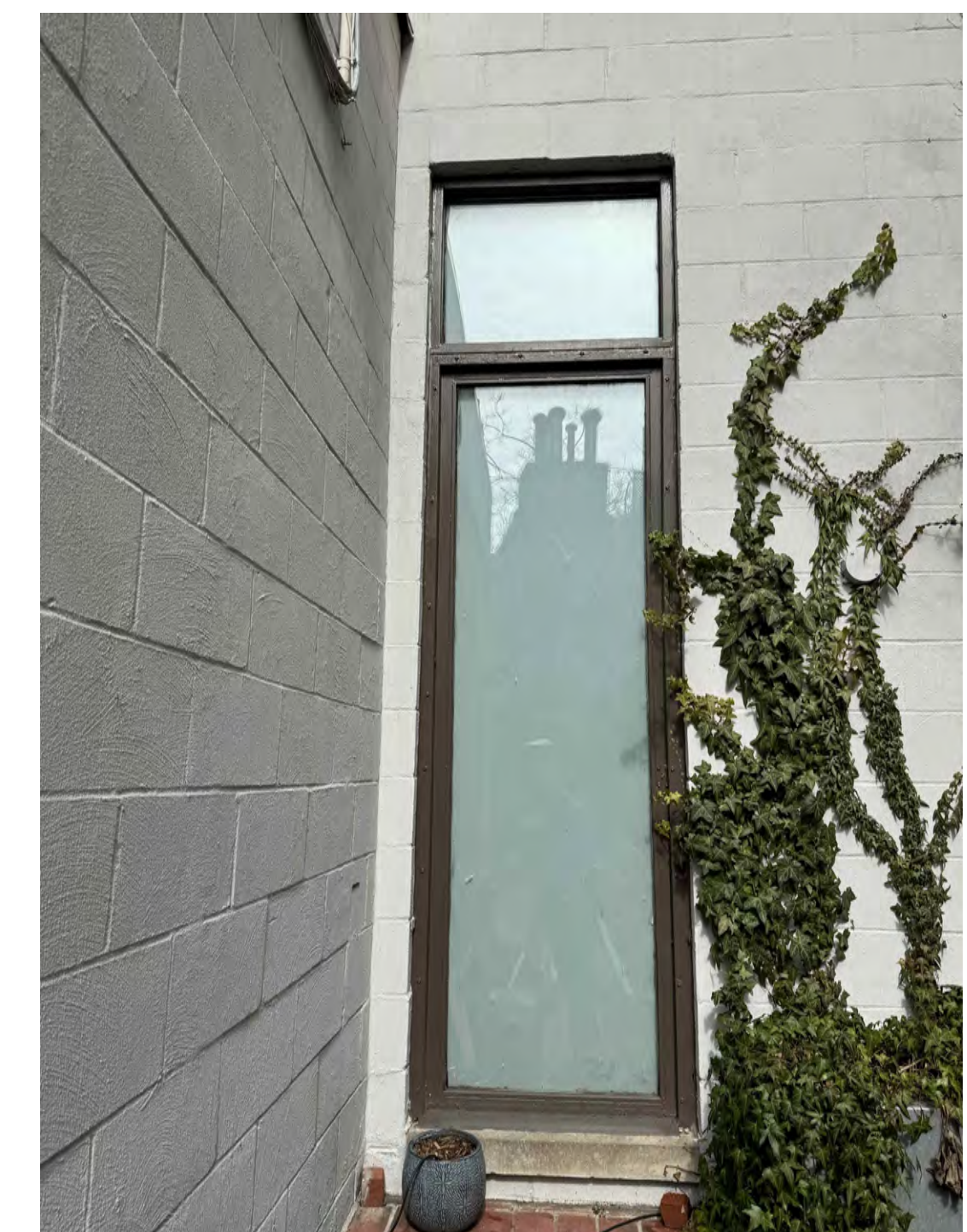
11 EX. DOOR- W 14 I



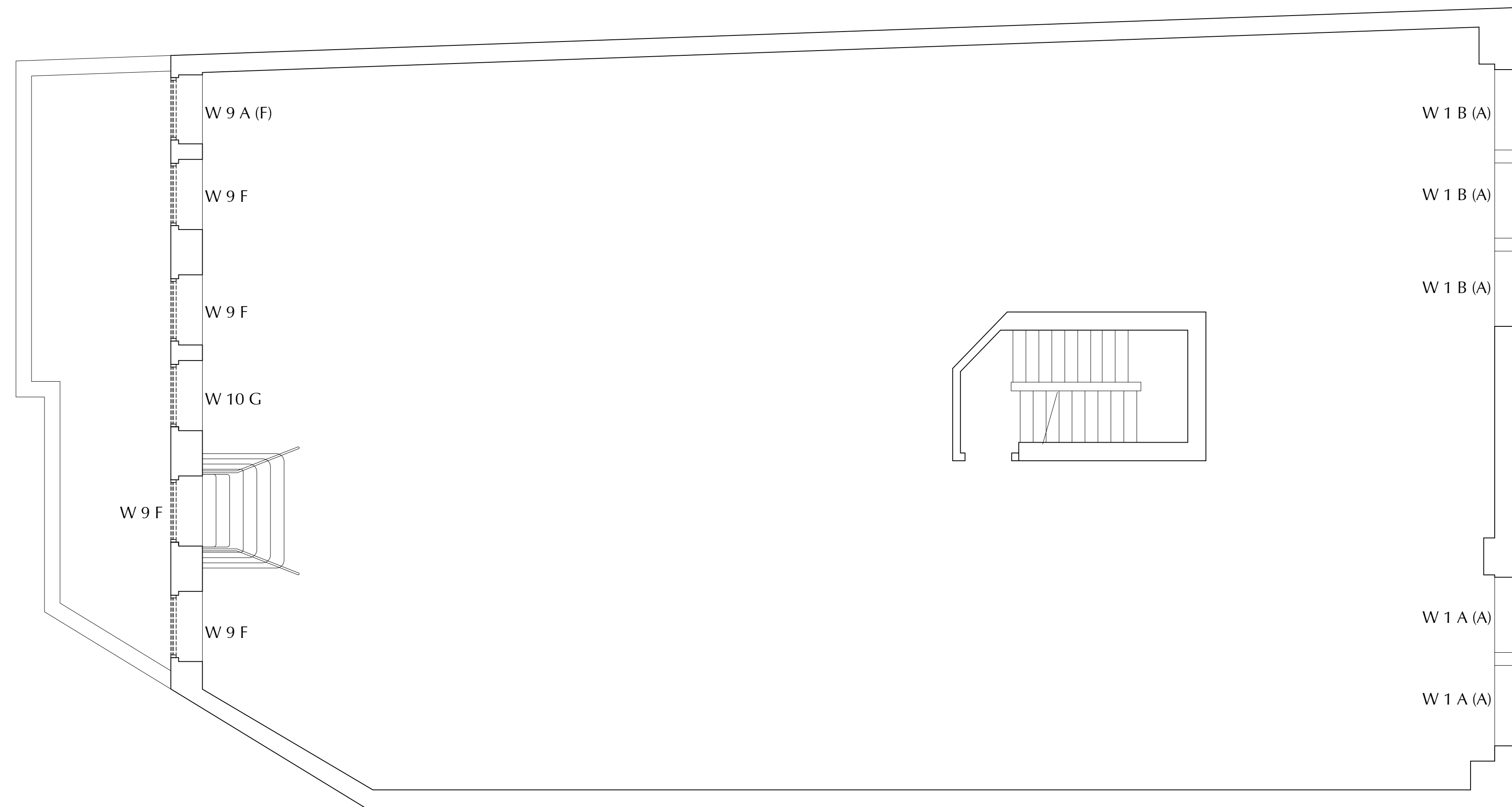
12 EX. DOOR- W 14 I



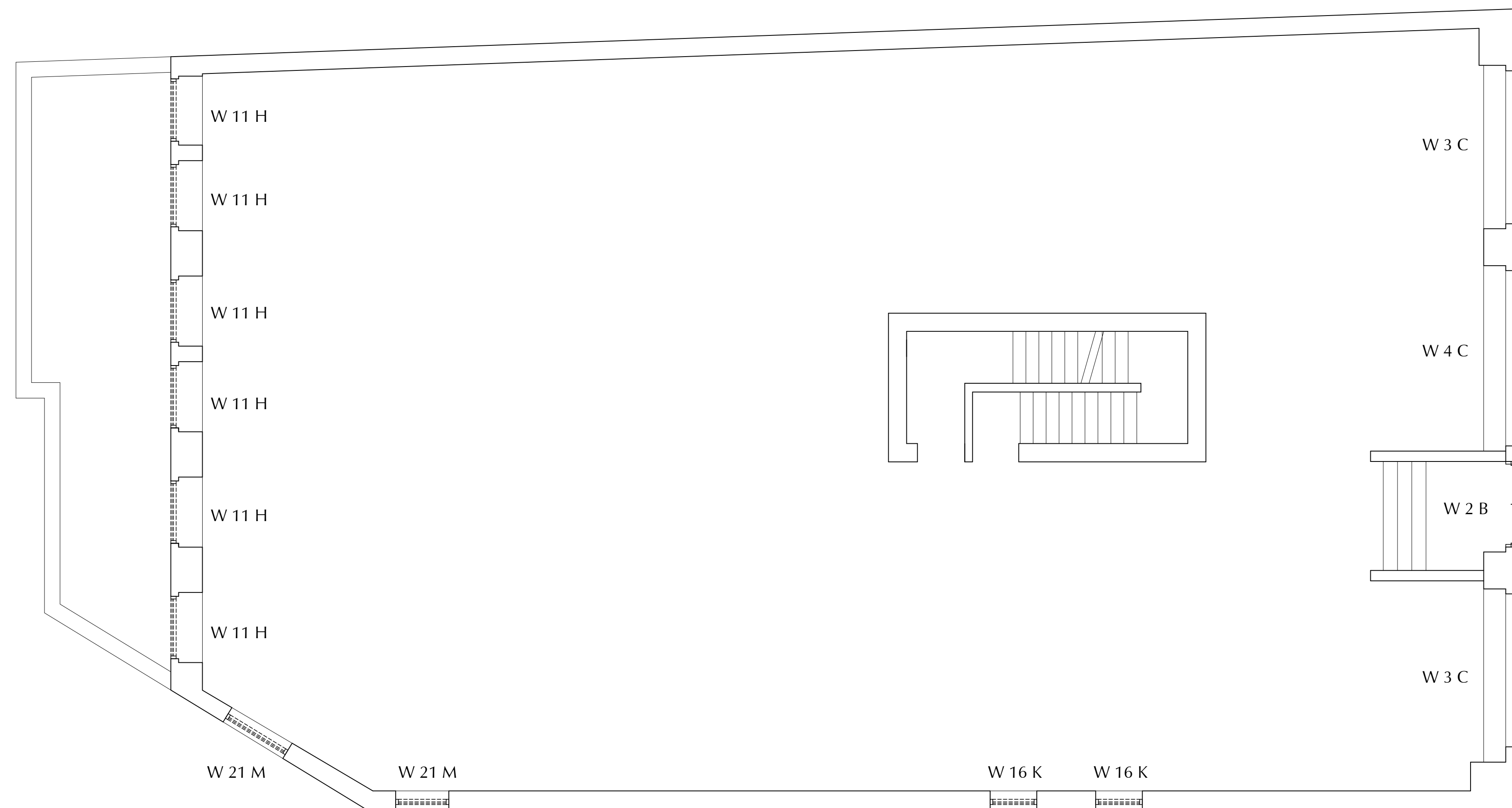
13 EX. DOOR- W 15 J



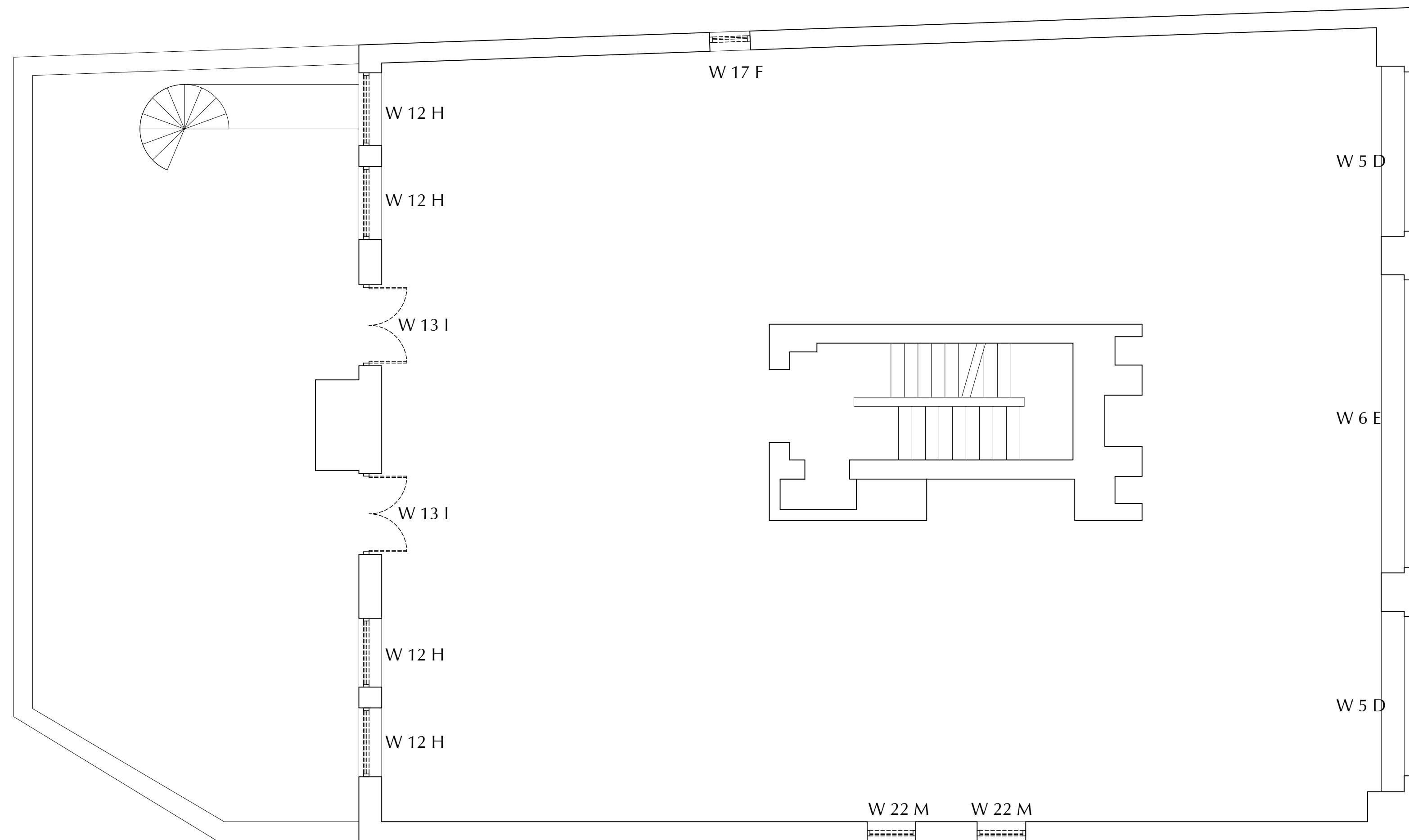
14 EX. DOOR- W 15 J



1 Cellar Floor Key Plan
SCALE: 1/8" = 1'-0"

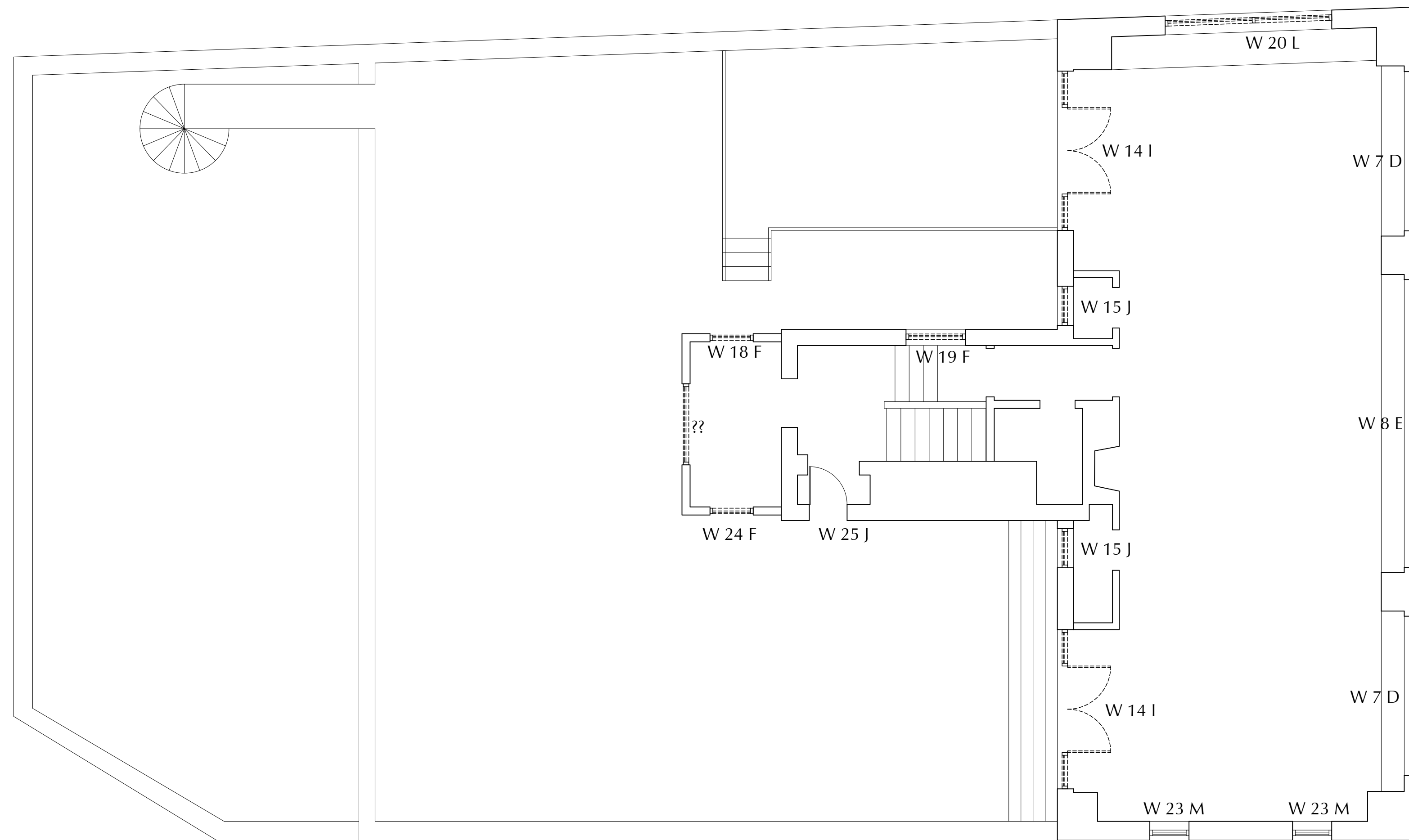


2 1st Floor Key Plan
SCALE: 1/8" = 1'-0"



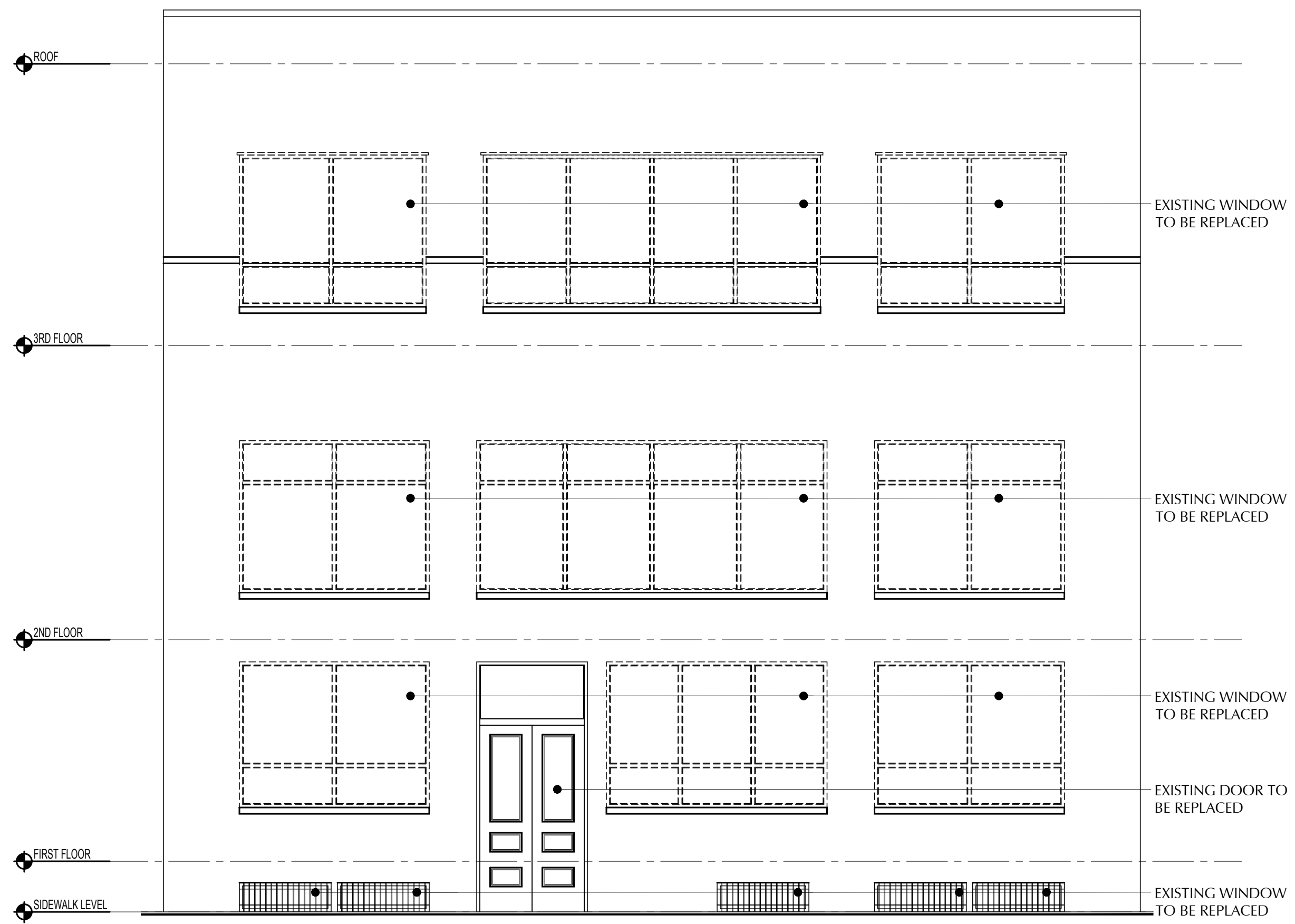
CHARLES STREET

1 2nd Floor Key Plan
SCALE: 1/8" = 1'-0"

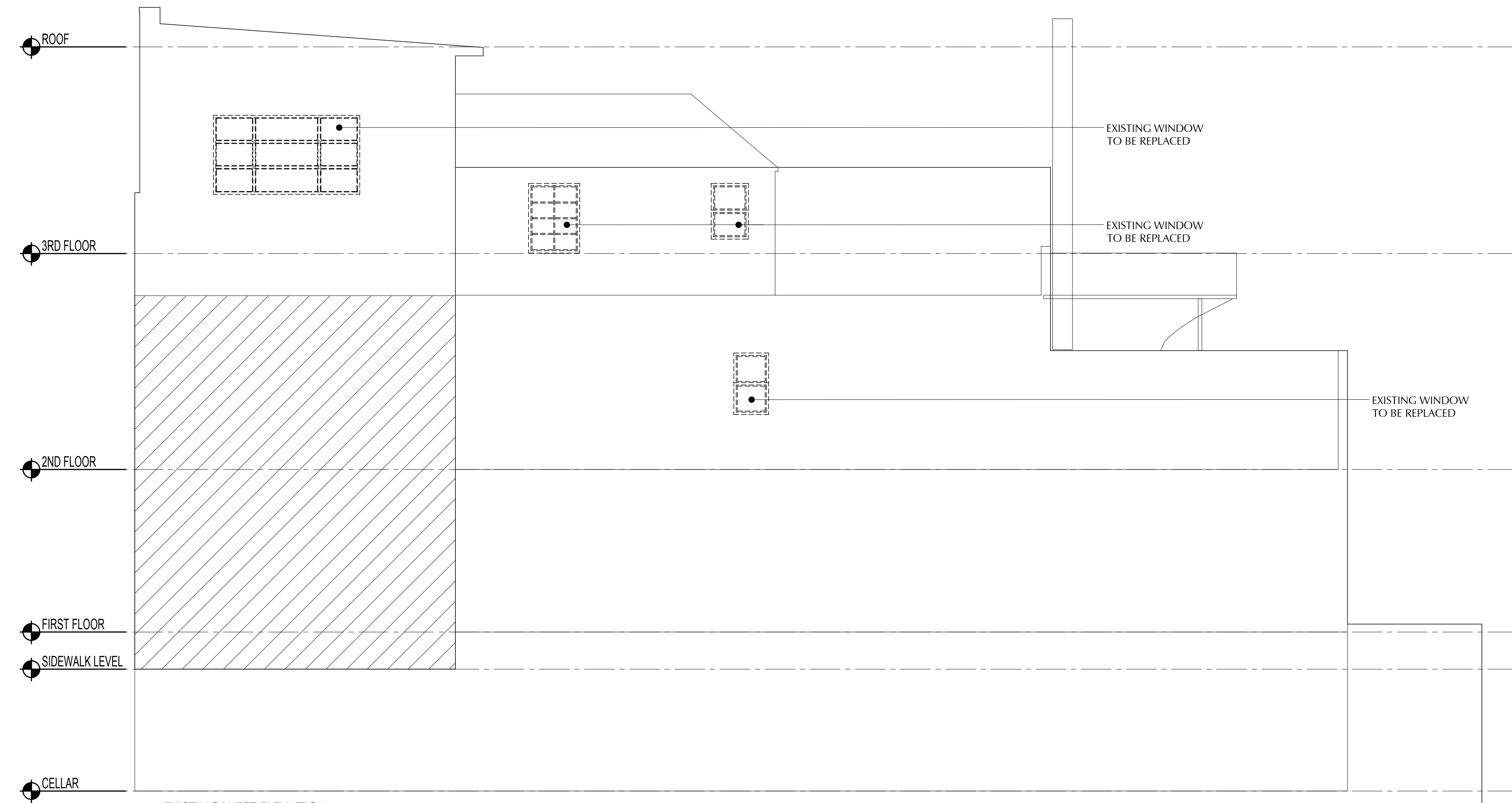


CHARLES STREET

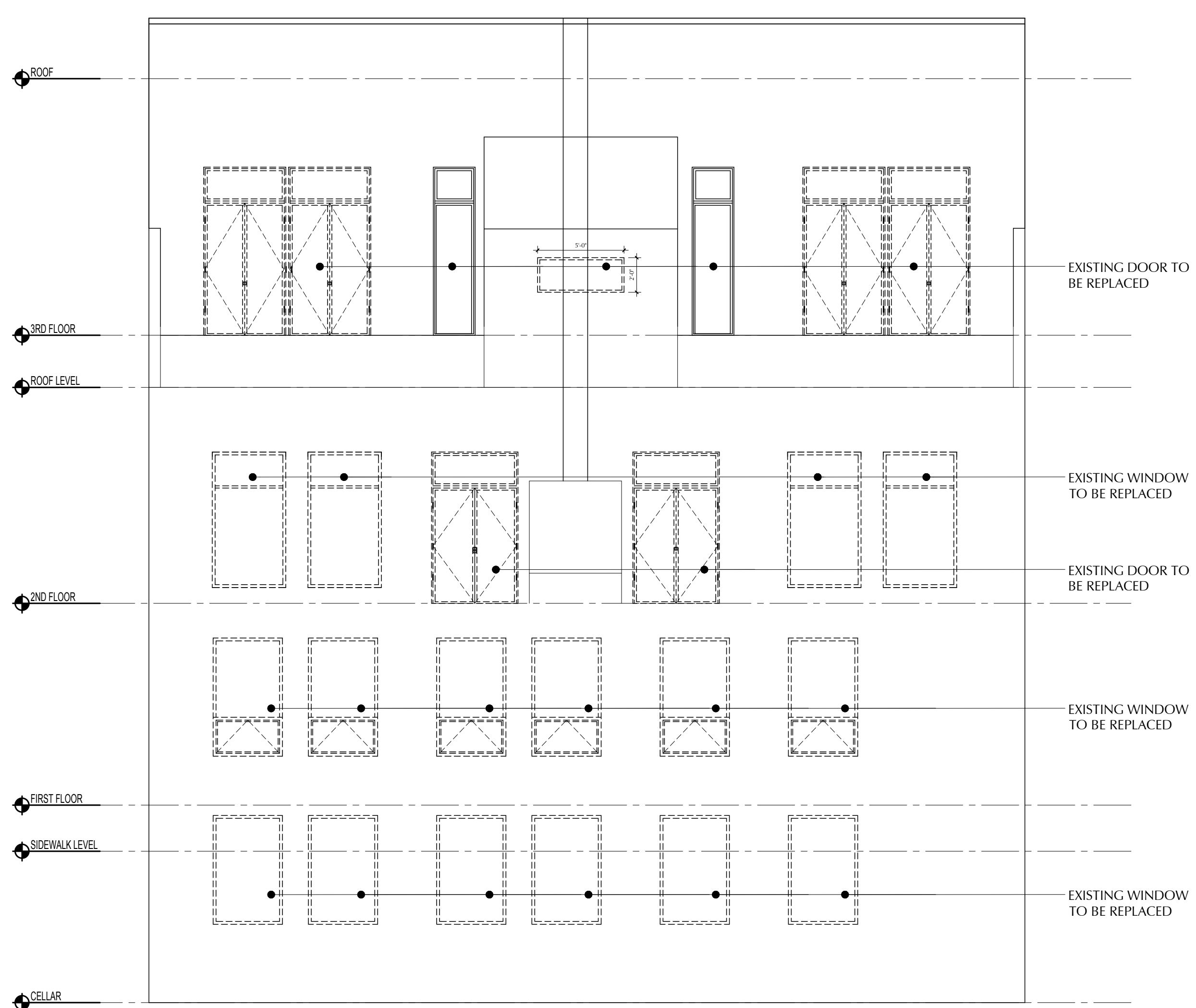
2 3rd Floor Key Plan
SCALE: 1/8" = 1'-0"



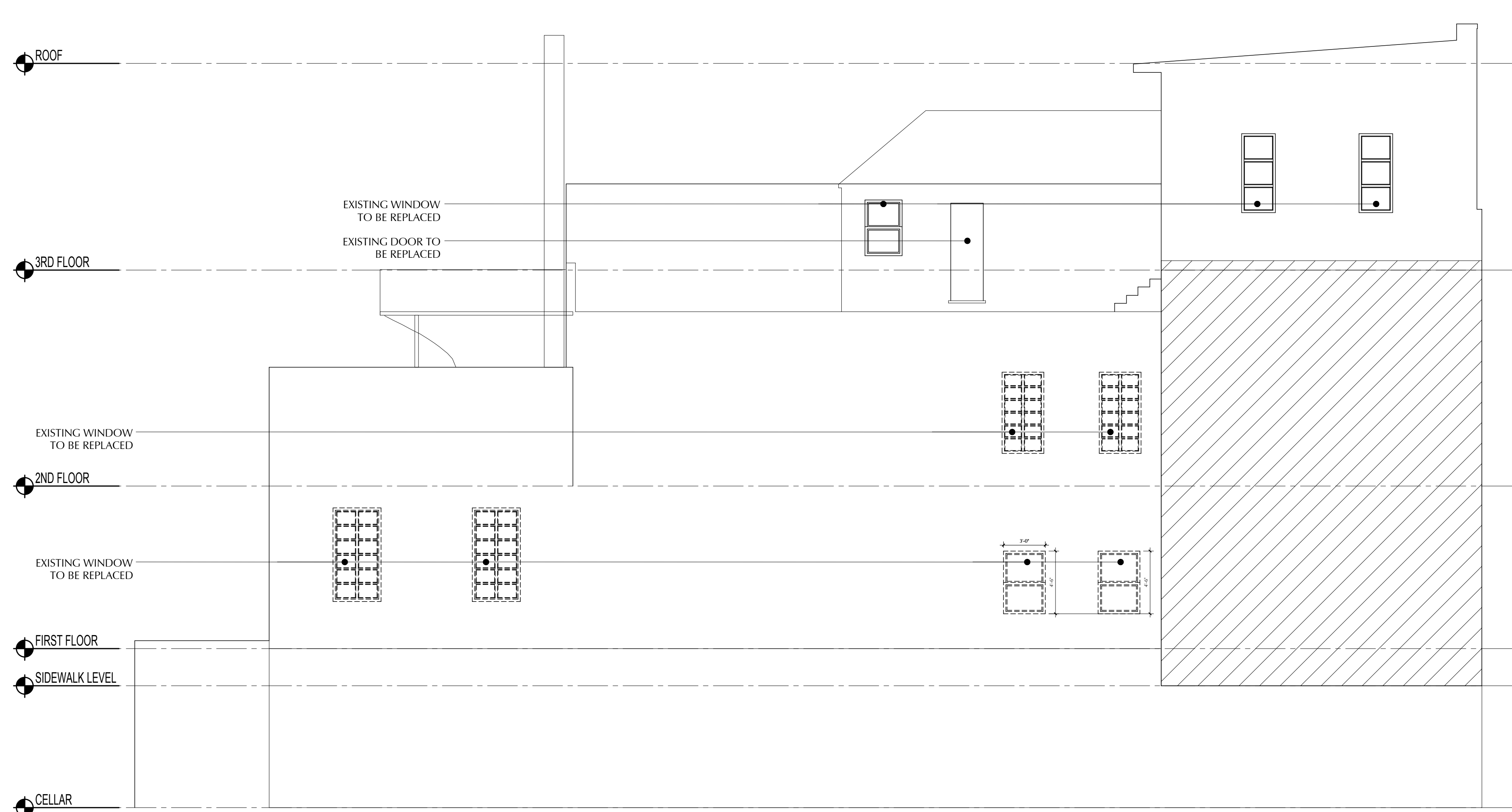
1 EXISTING NORTH ELEVATION (FRONT FACADE)
SCALE: 1/8" = 1'-0"



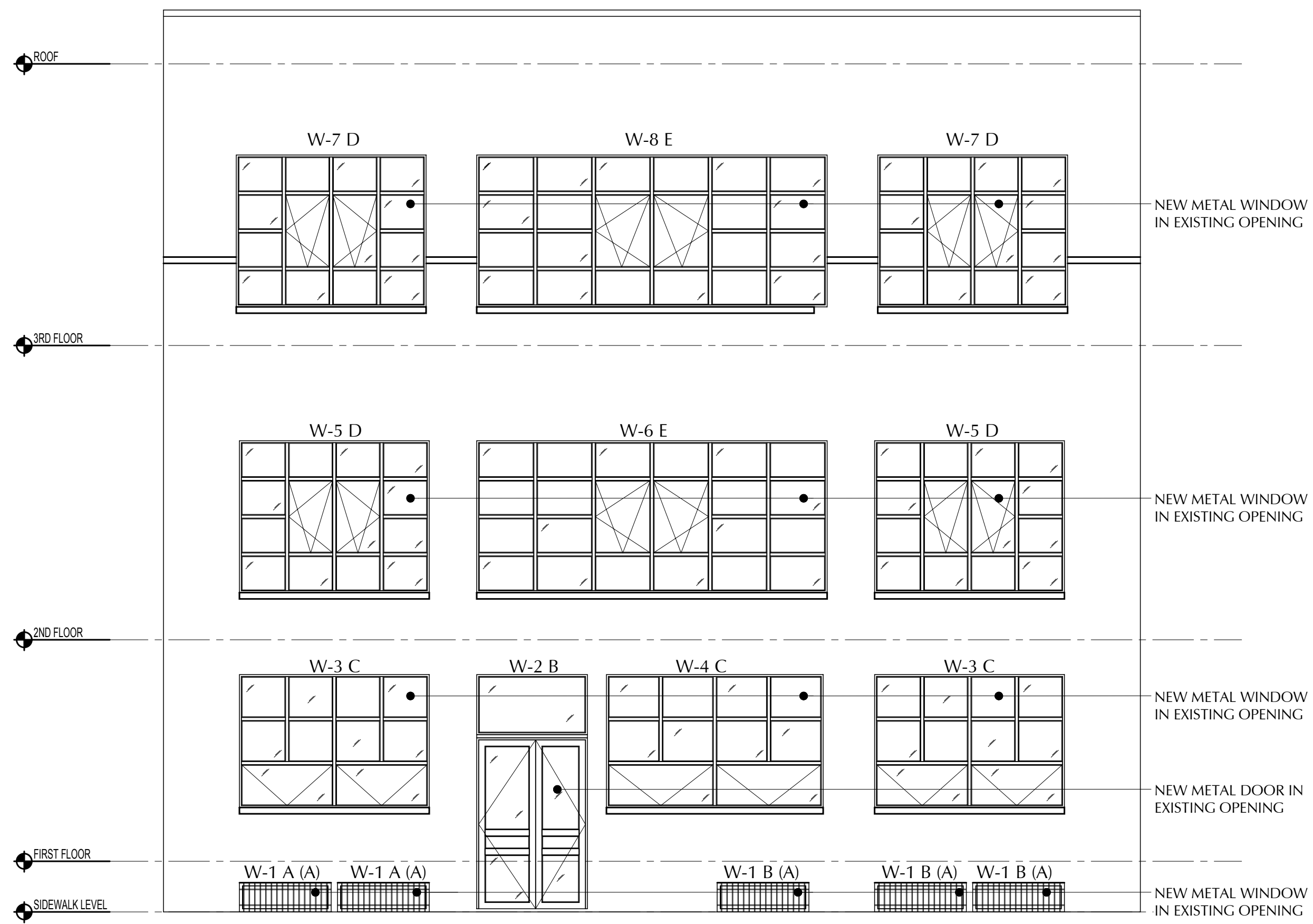
2 EXISTING WEST ELEVATION
SCALE: 1/8" = 1'-0"



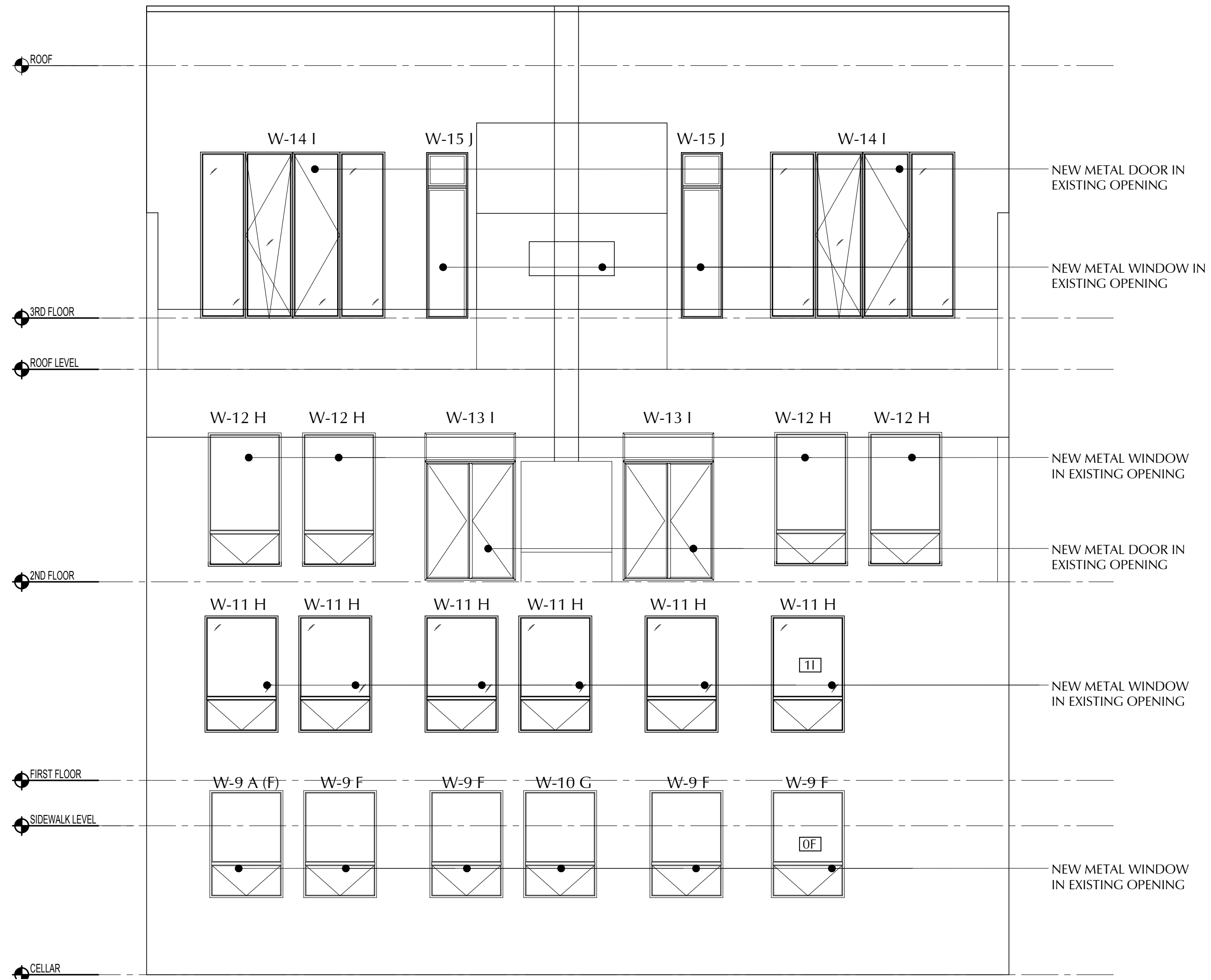
3 EXISTING SOUTH ELEVATION (REAR FACADE)
SCALE: 1/8" = 1'-0"



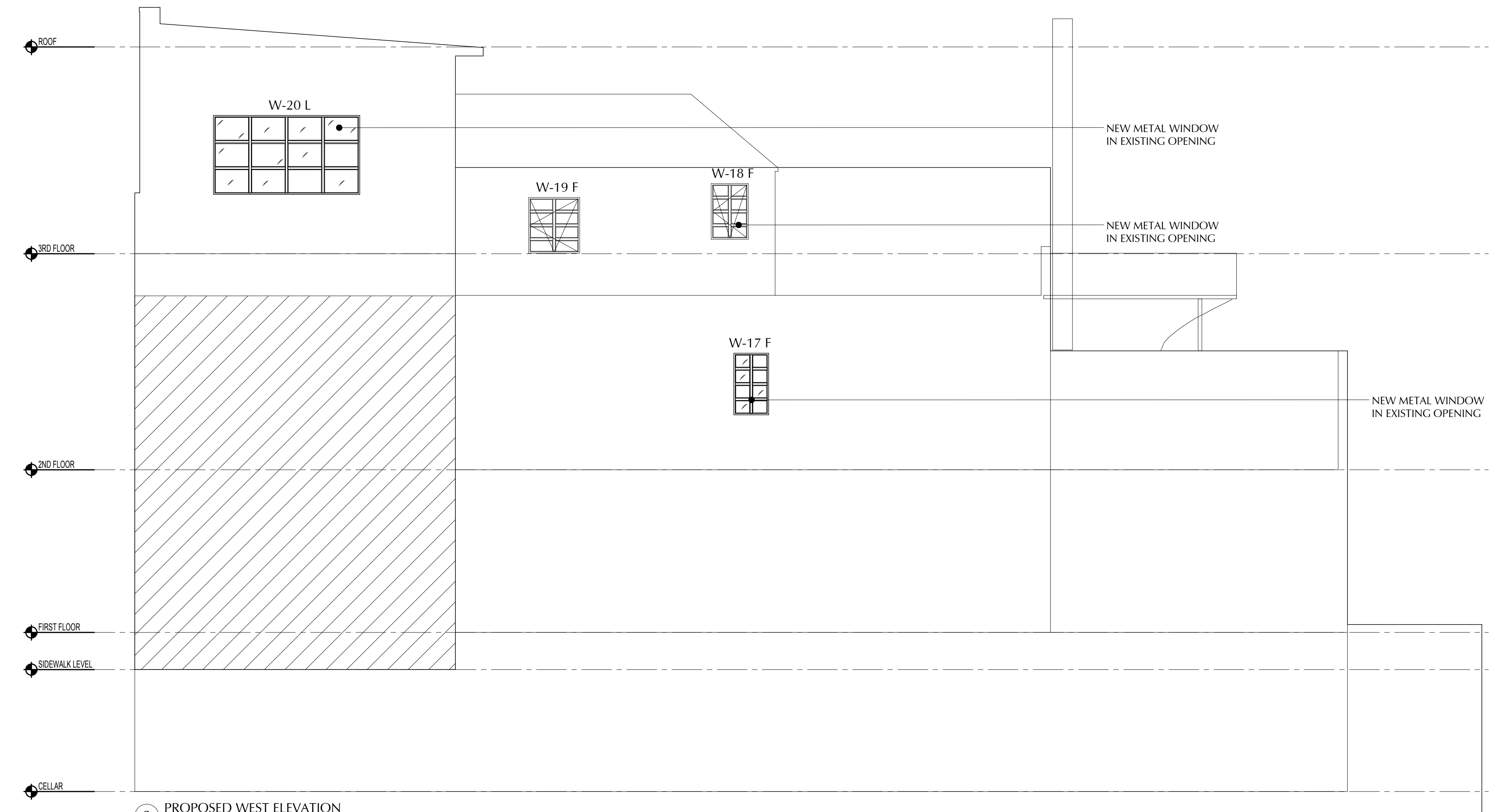
4 EXISTING EAST ELEVATION
SCALE: 1/8" = 1'-0"



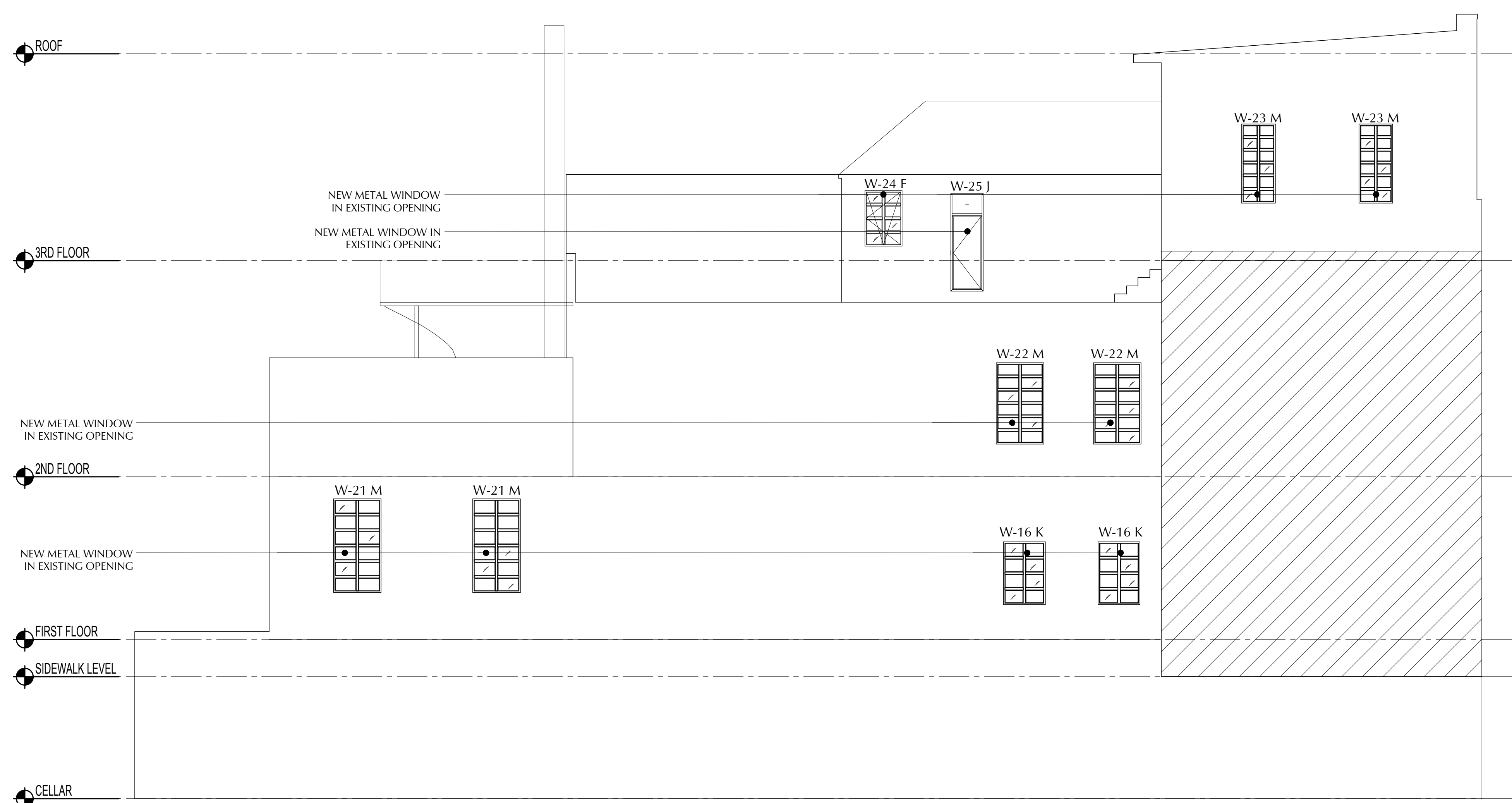
1 PROPOSED NORTH ELEVATION (FRONT FACADE)
SCALE: 1/8" = 1'-0"



3 PROPOSED SOUTH ELEVATION (REAR FACADE)
SCALE: 1/8" = 1'-0"

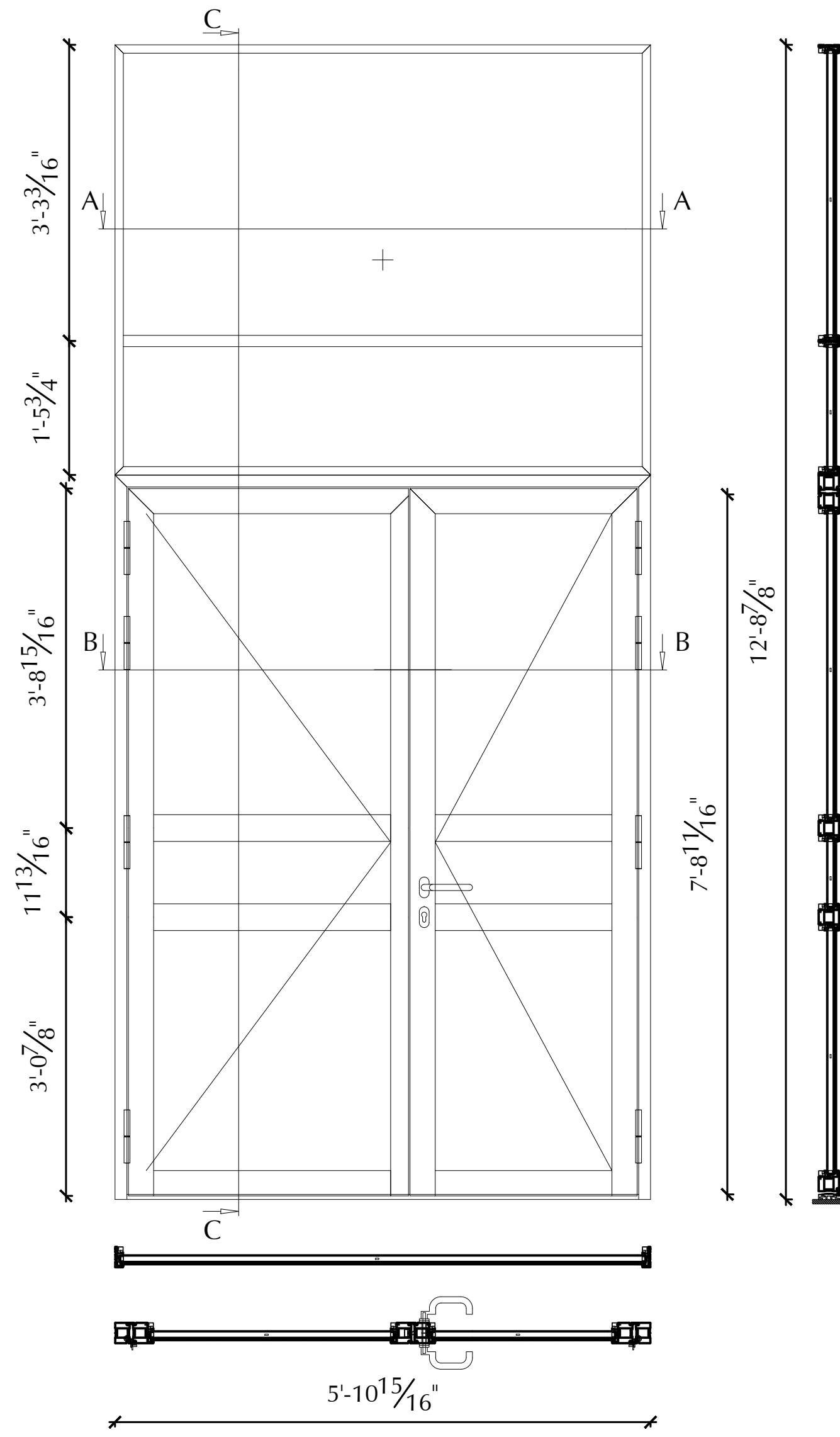


2 PROPOSED WEST ELEVATION
SCALE: 1/8" = 1'-0"

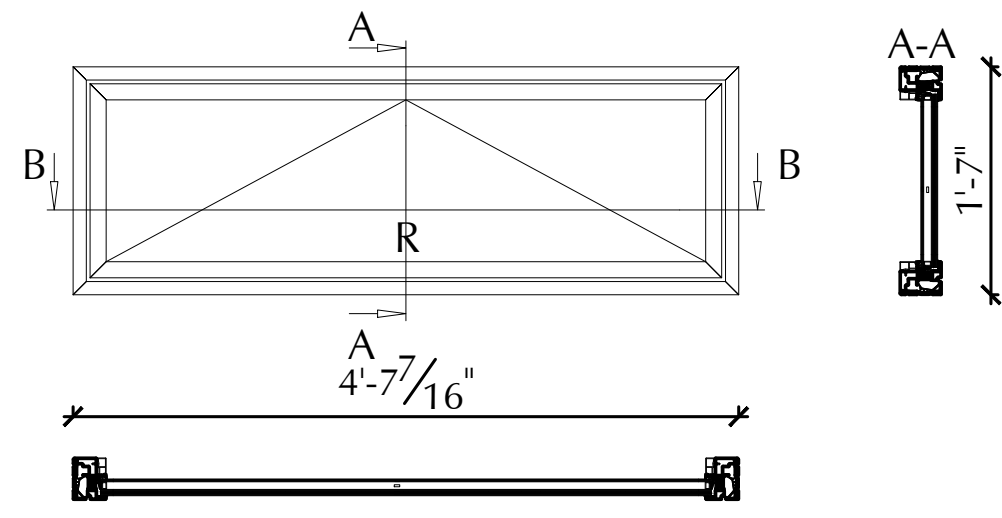


4 PROPOSED EAST ELEVATION
SCALE: 1/8" = 1'-0"

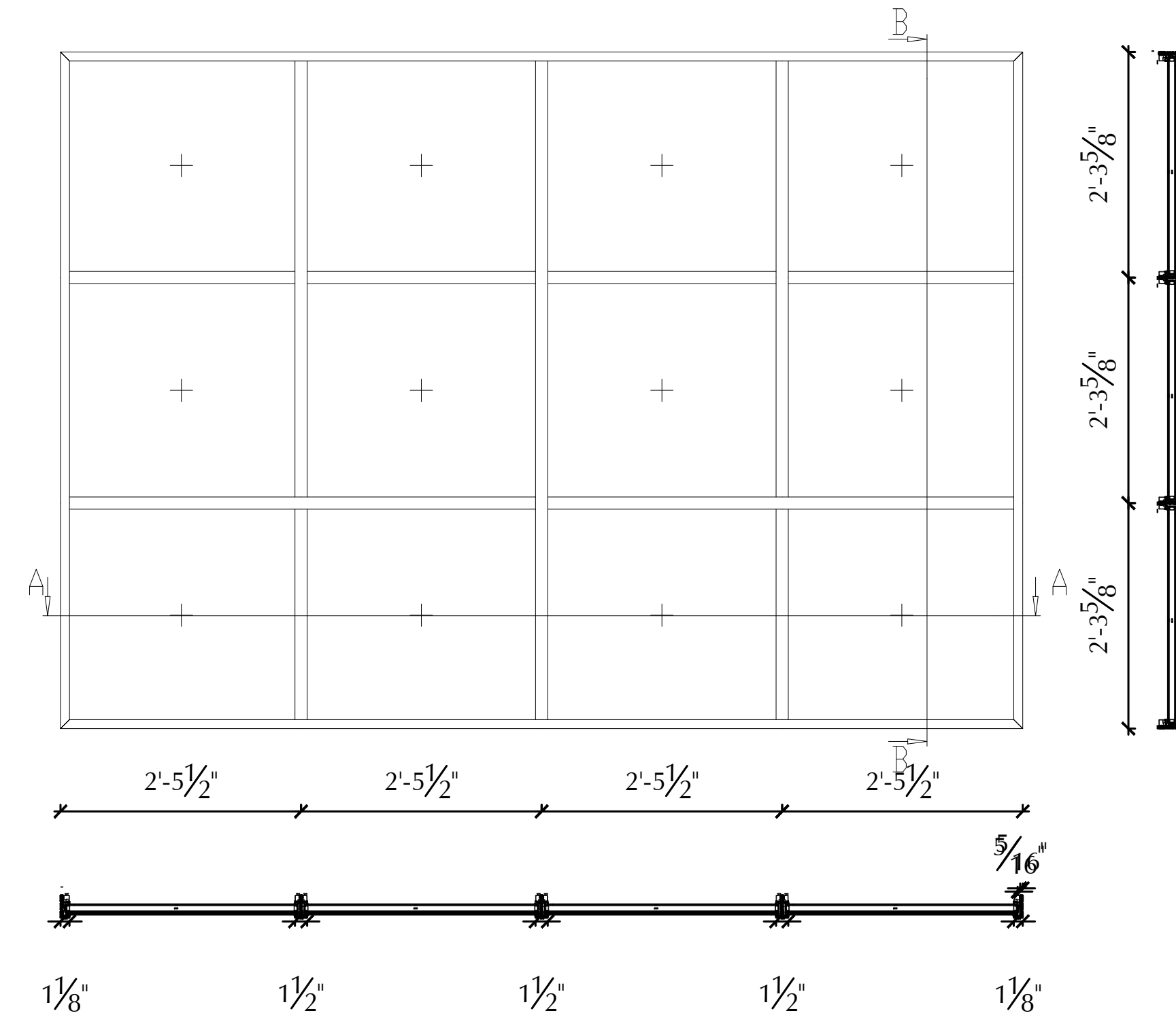
Pos. 002, Quantity: 1
 W-2, TYPE-B
 Job: 134 Charles Str. RC2 Rev 5
 System: forster unico/unico XS Burglar Resistance RC 2 Aluminium XS Hi Dry
 Exterior View



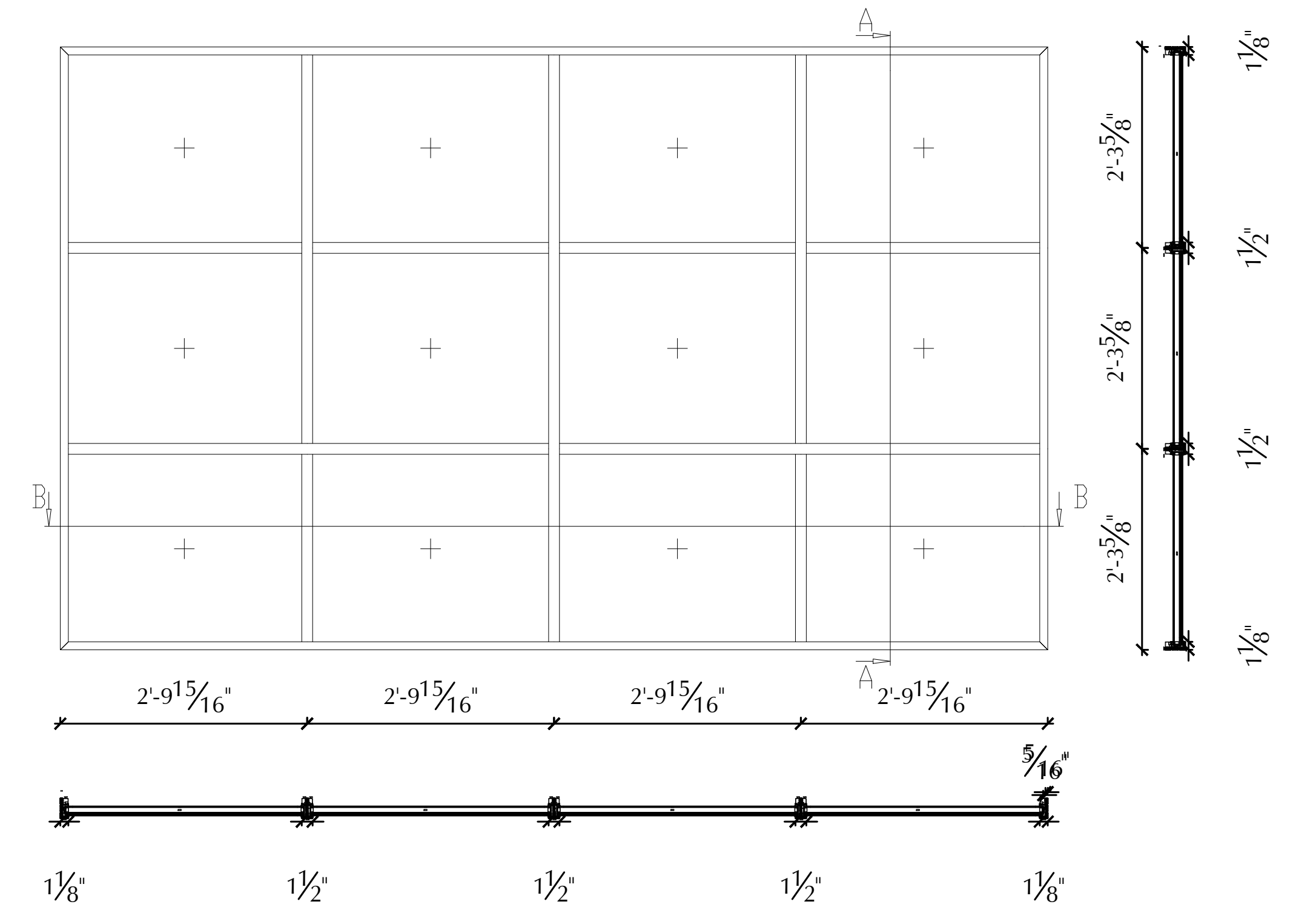
Pos. 001, Quantity: 5
 W-1, TYPE-A
 Job: 134 Charles Str. RC2 Rev 5
 System: forster unico/unico XS XS Standard Aluminium XS Hi Dry
 Exterior View



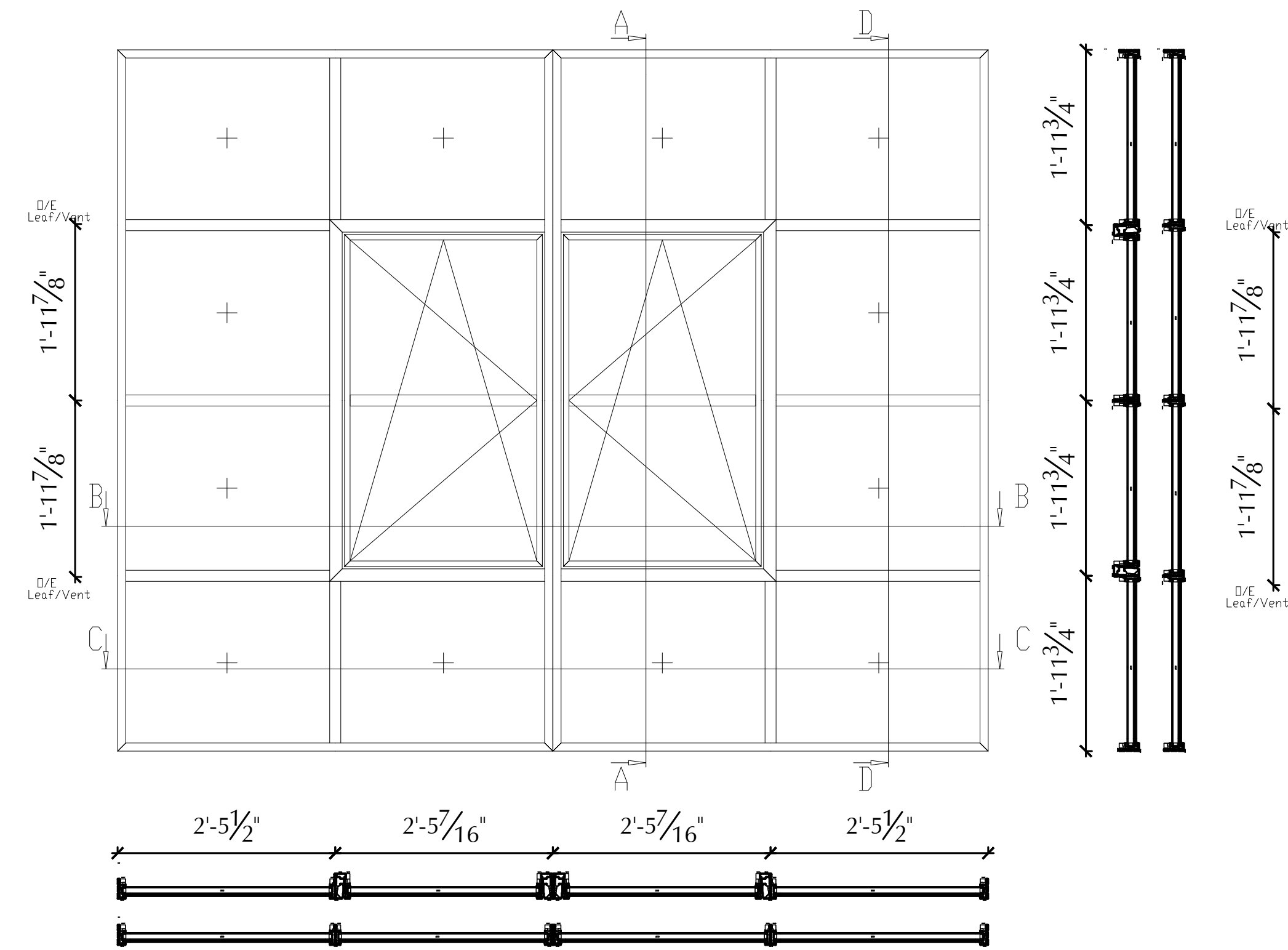
Pos. 003, Quantity: 2
 W-3
 Job: 134 Charles Str. RC2 Rev 5
 System: forster unico/unico XS XS Burglar Resistance RC 2 Aluminium XS Hi Dry
 Exterior View



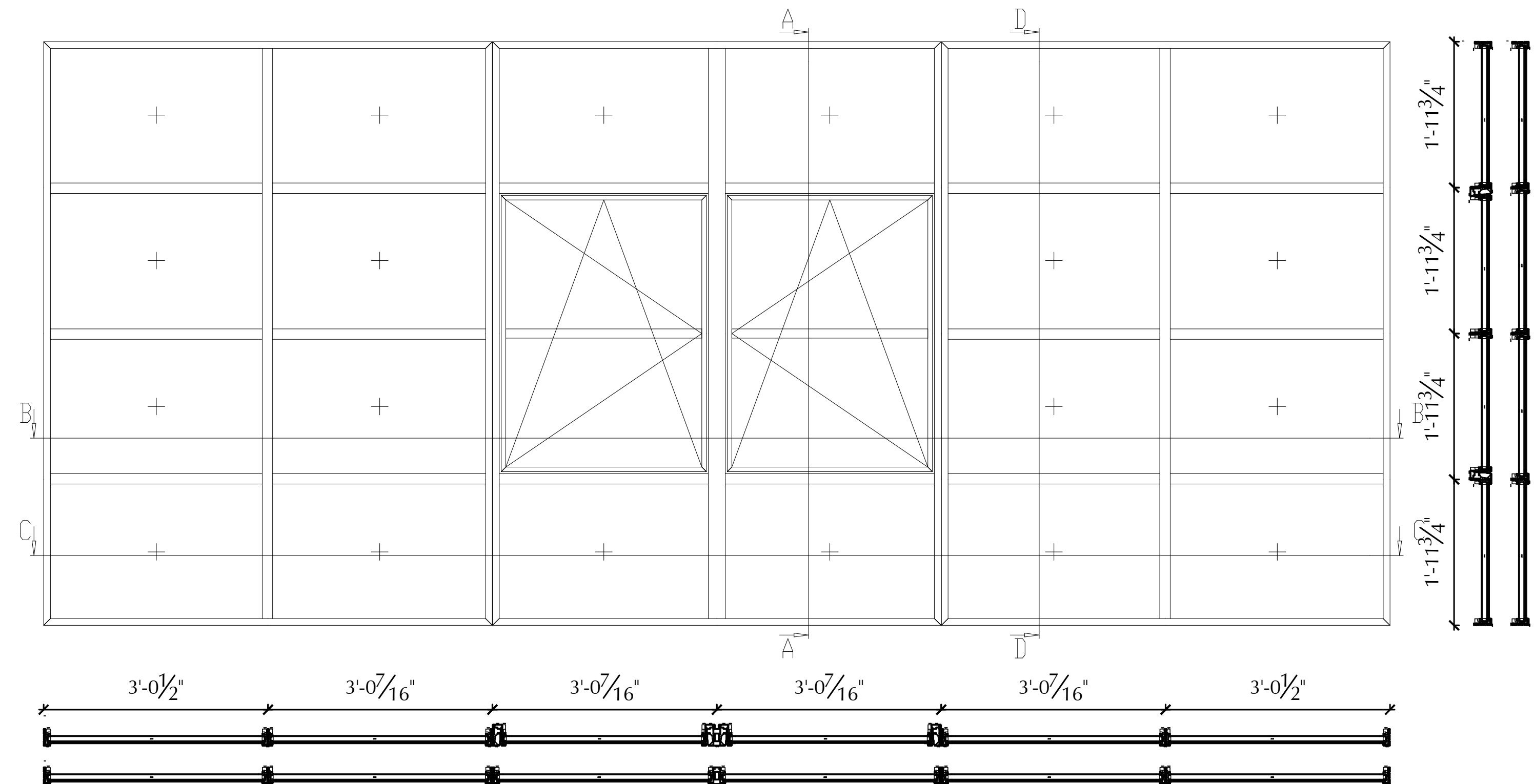
Pos. 004, Quantity: 1
 W-4, type -C
 Job: 134 Charles Str. RC2 Rev 5
 System: forster unico/unico XS XS Standard Aluminium XS Hi Dry
 Exterior View



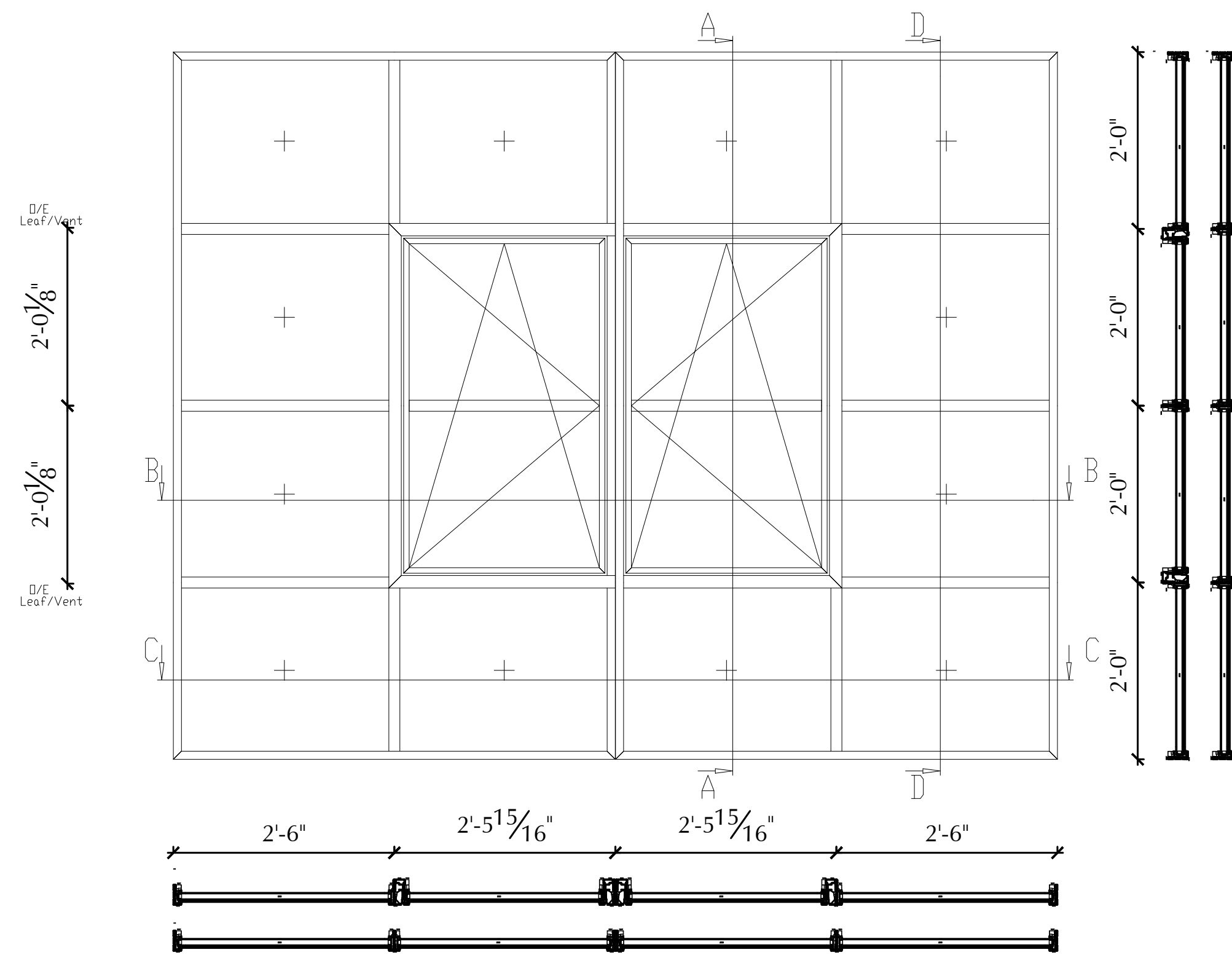
Pos. 005, Quantity: 2
 W-5, TYPE-D
 Job: 134 Charles Str. RC2 Rev 5
 System: forster unico/unico XS XS Standard Aluminium XS Hi Dry
 Exterior View



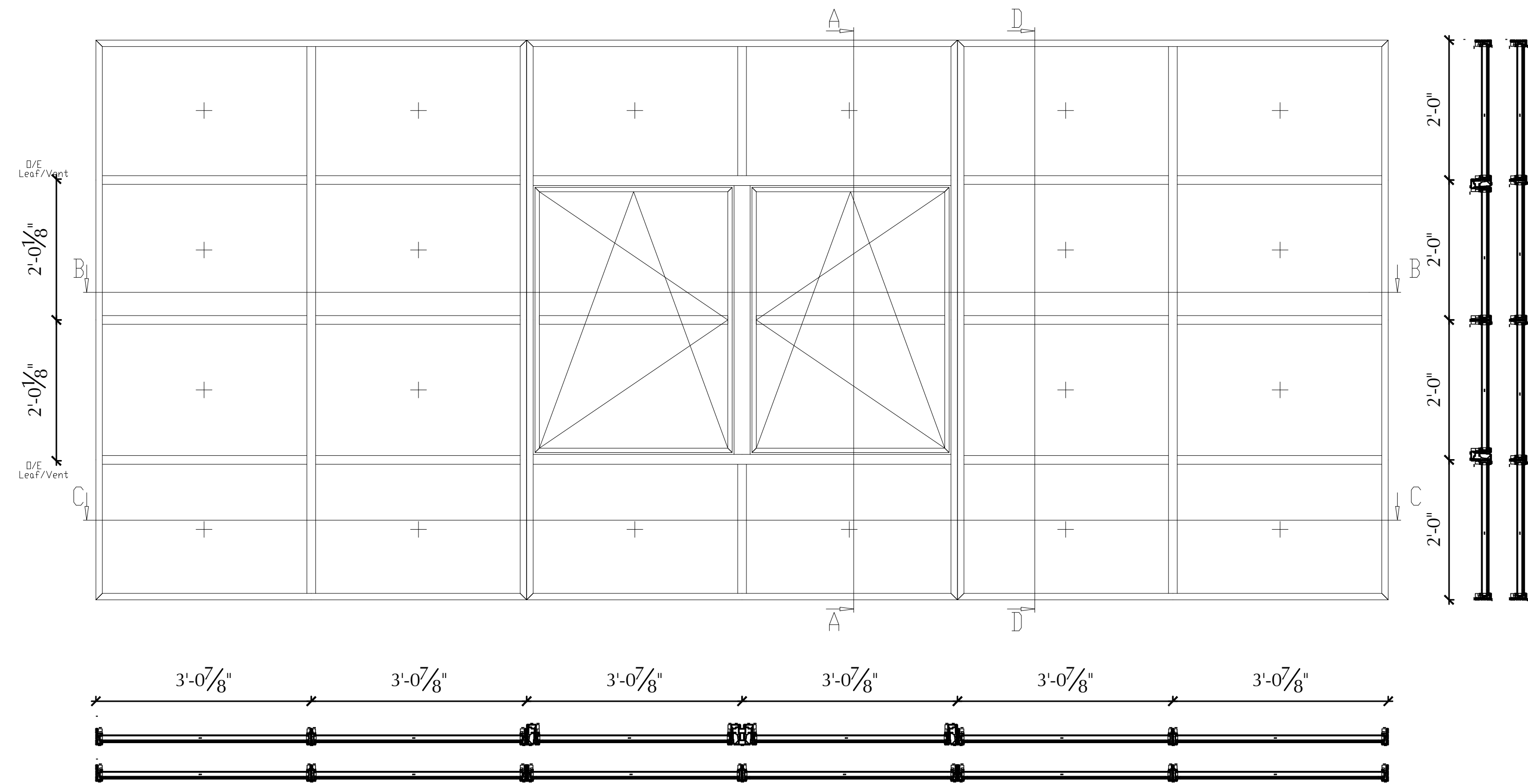
Pos. 006, Quantity: 1
 W-6, TYPE-E
 Job: 134 Charles Str. RC2 Rev 5
 System: forster unico/unico XS XS Standard Aluminium XS Hi Dry
 Exterior View



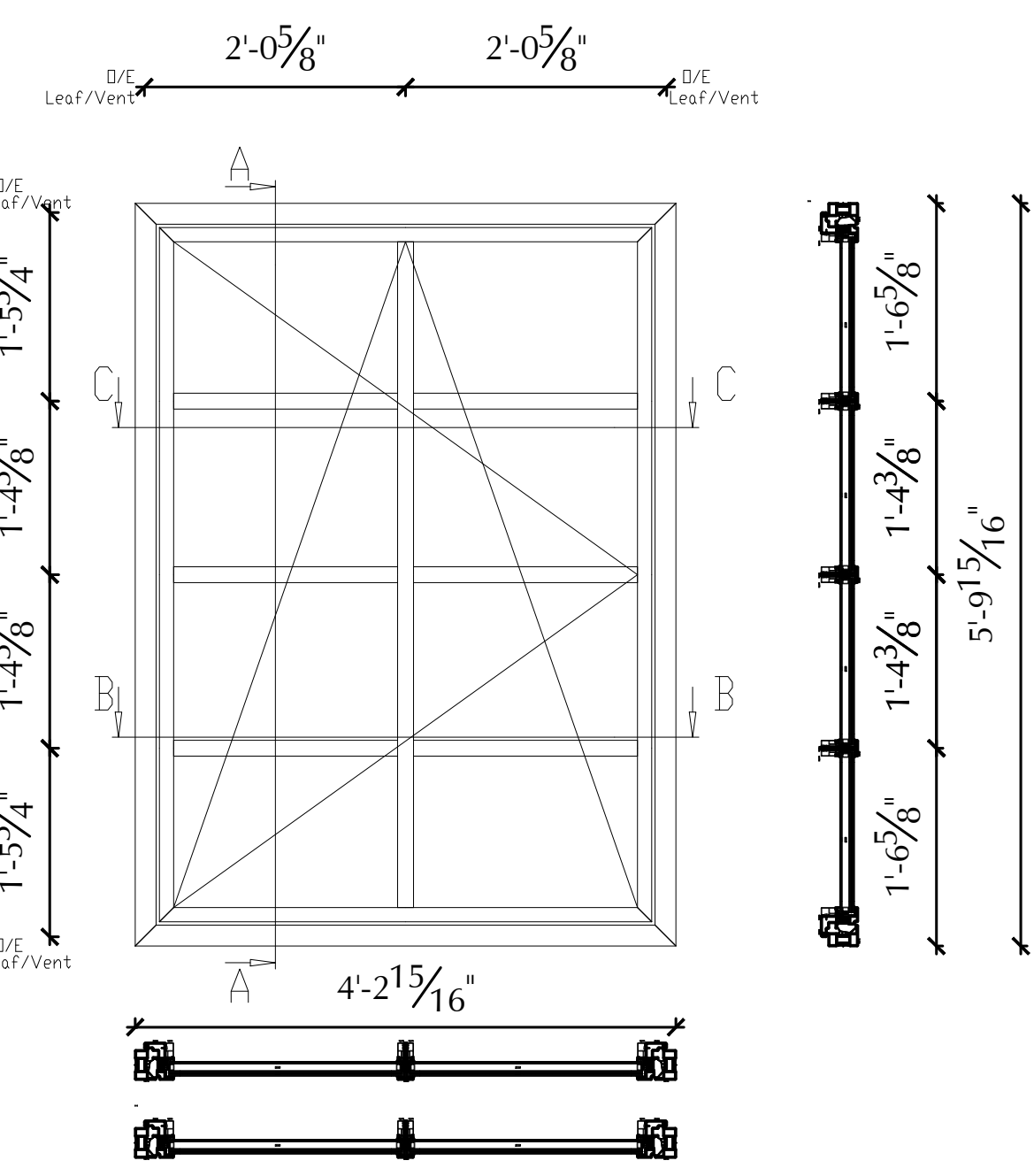
Pos. 007, Quantity: 2
 W-7, TYPE-D
 Job: 134 Charles Str. RC2 Rev 5
 System: forster unico/unico XS XS Standard Aluminium XS Hi Dry
 Exterior View



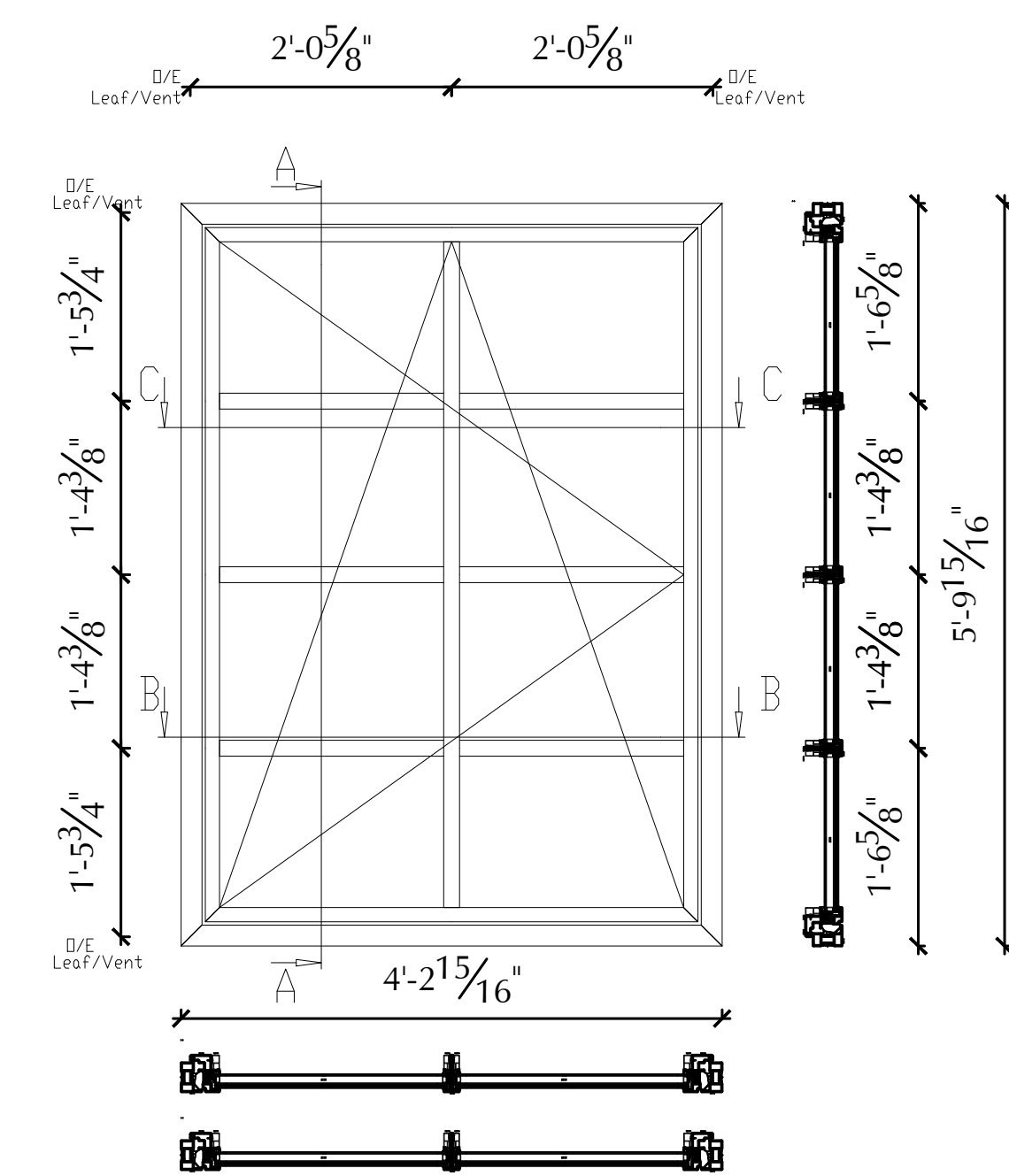
Pos. 008, Quantity: 1
 W-8, TYPE-E
 Job: 134 Charles Str. RC2 Rev 5
 System: forster unico/unico XS XS Standard Aluminium XS Hi Dry
 Exterior View



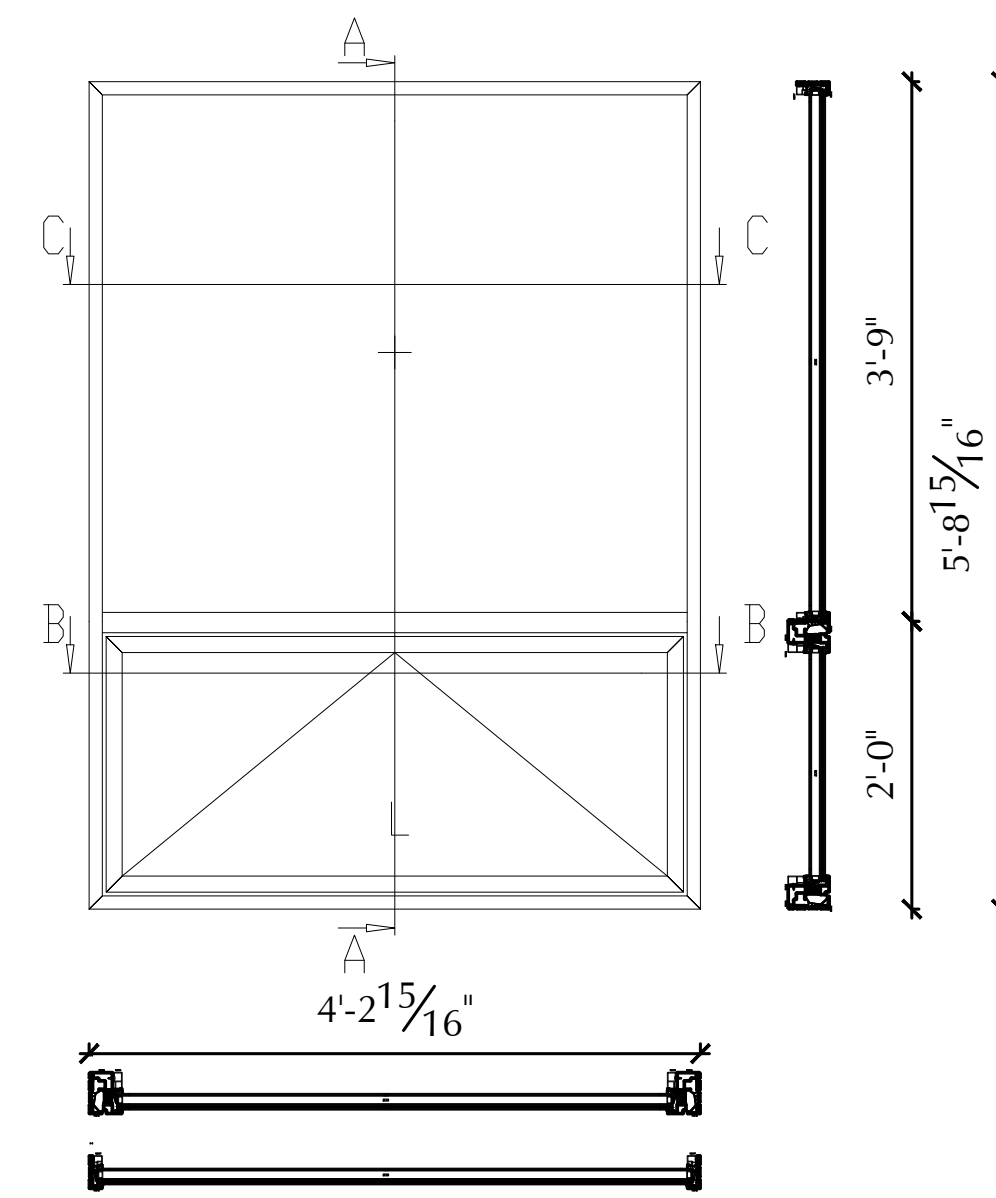
Pos. 009, Quantity: 5
 W-9, TYPE-F
 Job: 134 Charles Str. RC2 Rev 5
 System: forster unico/unico XS XS Burglar Resistance RC 2 Aluminium XS Hi Dry
 Exterior View



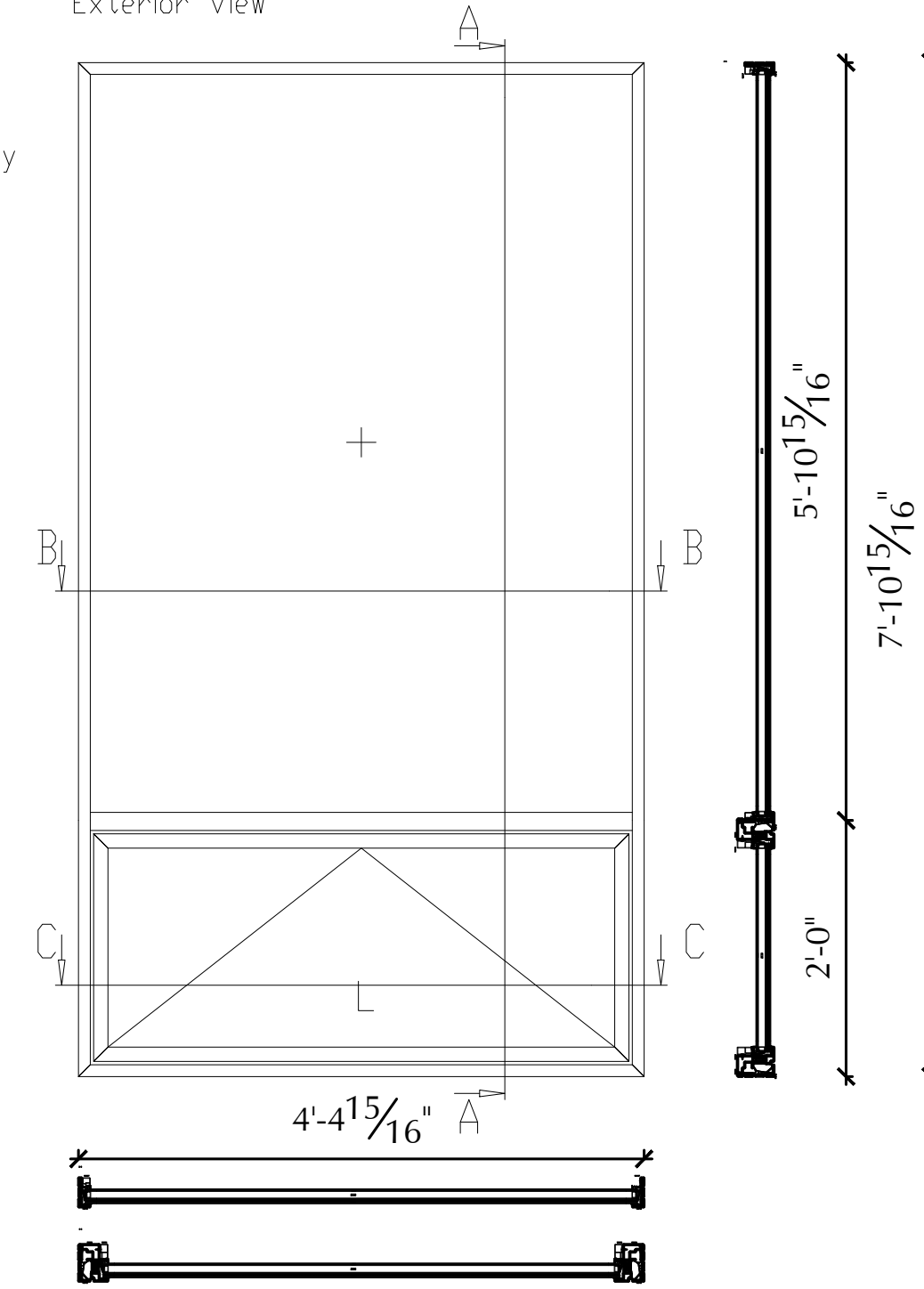
Pos. 010, Quantity: 1
 W-10, TYPE-G
 Job: 134 Charles Str. RC2 Rev 5
 System: forster unico/unico XS XS Burglar Resistance RC 2 Aluminium XS Hi Dry
 Exterior View



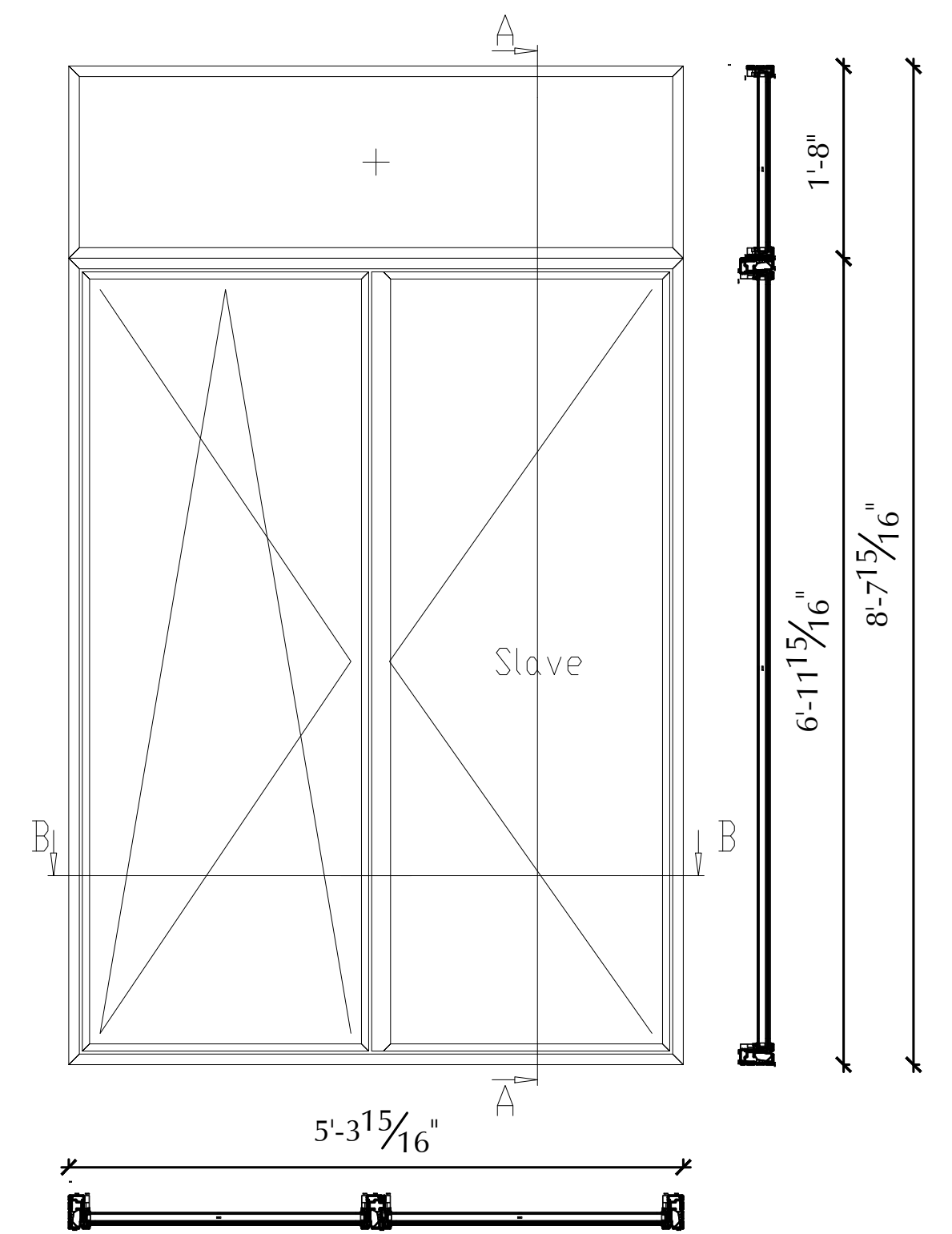
Pos. 011, Quantity: 6
 W-11, TYPE-H
 Job: 134 Charles Str. RC2 Rev 5
 System: forster unico/unico XS XS Burglar Resistance RC 2 Aluminium XS Hi Dry
 Exterior View



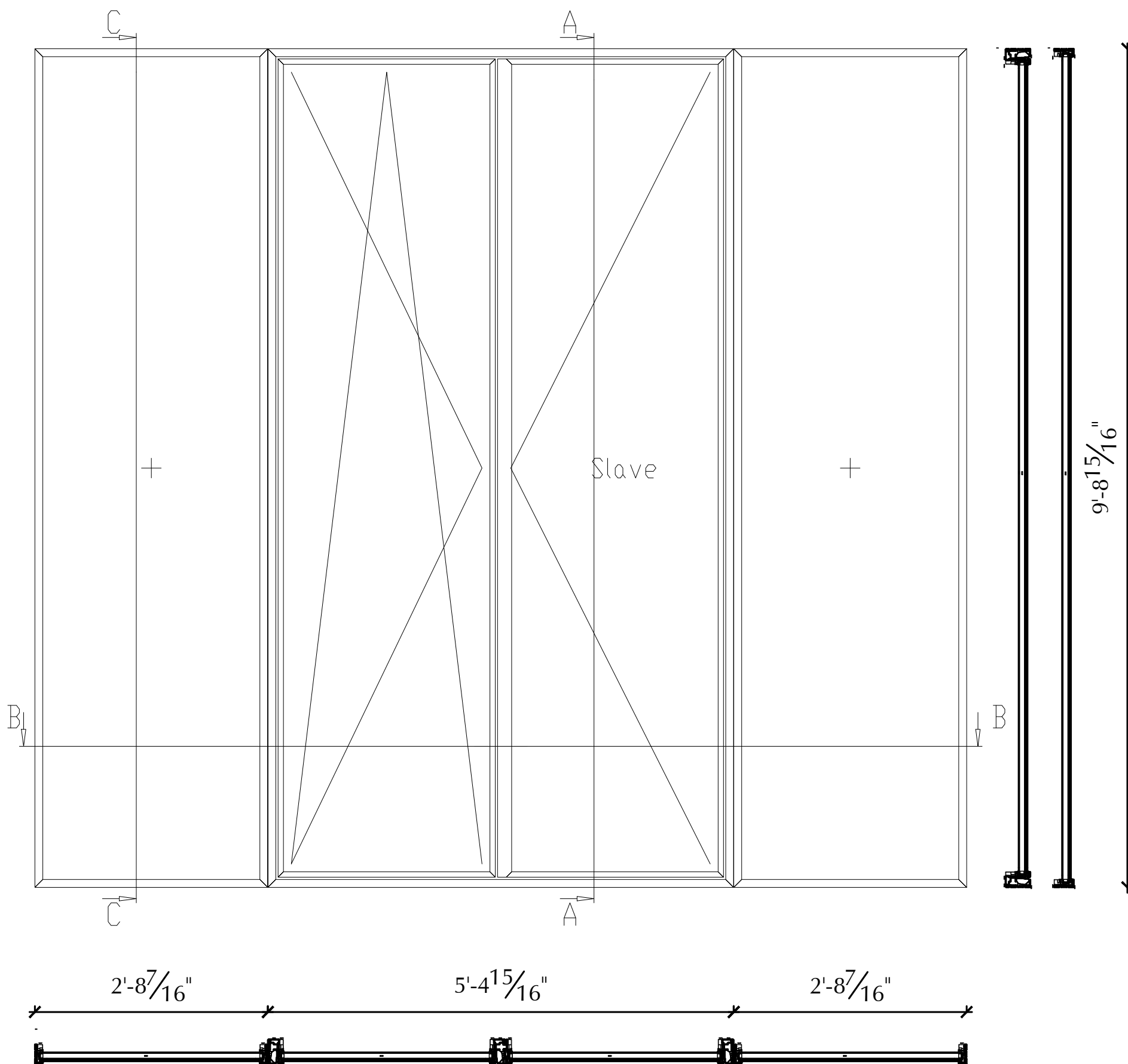
Pos. 012, Quantity: 4
 W-12, TYPE-H
 Job: 134 Charles Str. RC2 Rev 5
 System: forster unico/unico XS XS Burglar Resistance RC 2 Aluminium XS Hi Dry
 Exterior View



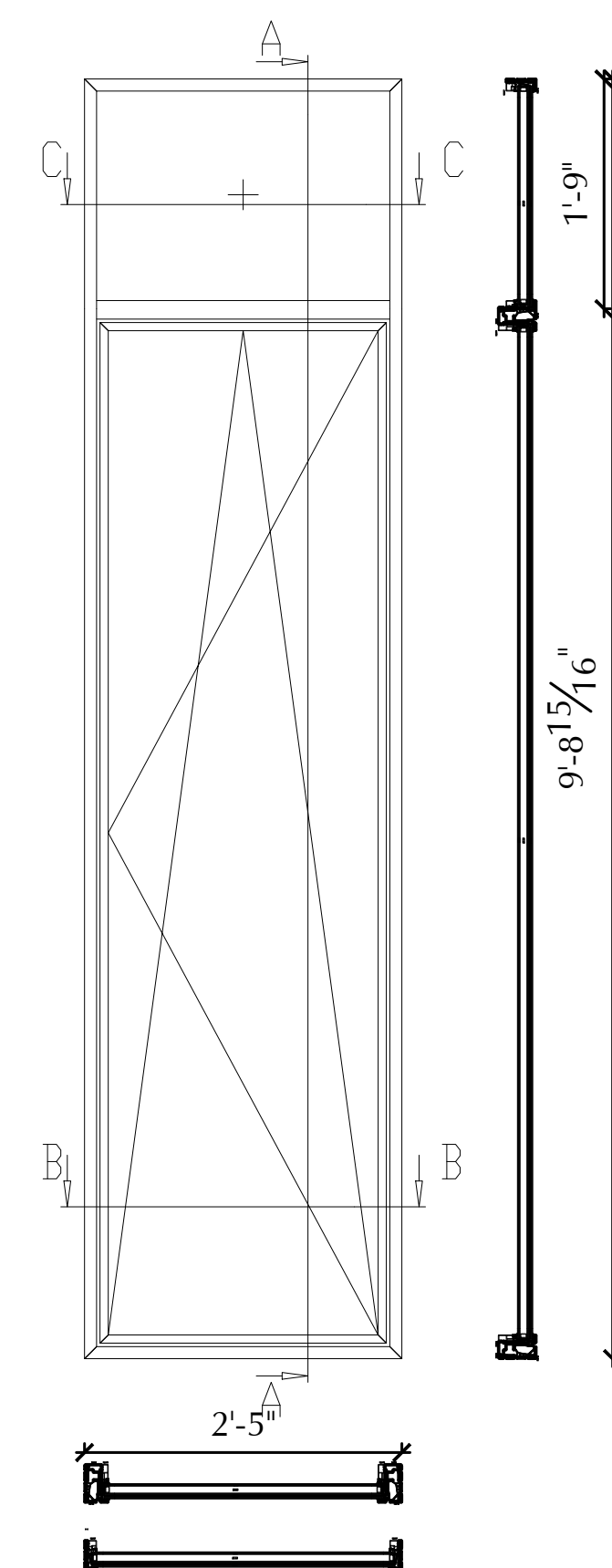
Pos. 013, Quantity: 2
 W-13, TYPE-I
 Job: 134 Charles Str. RC2 Rev 5
 System: forster unico/unico XS XS Standard Aluminium XS Hi Dry
 Exterior View



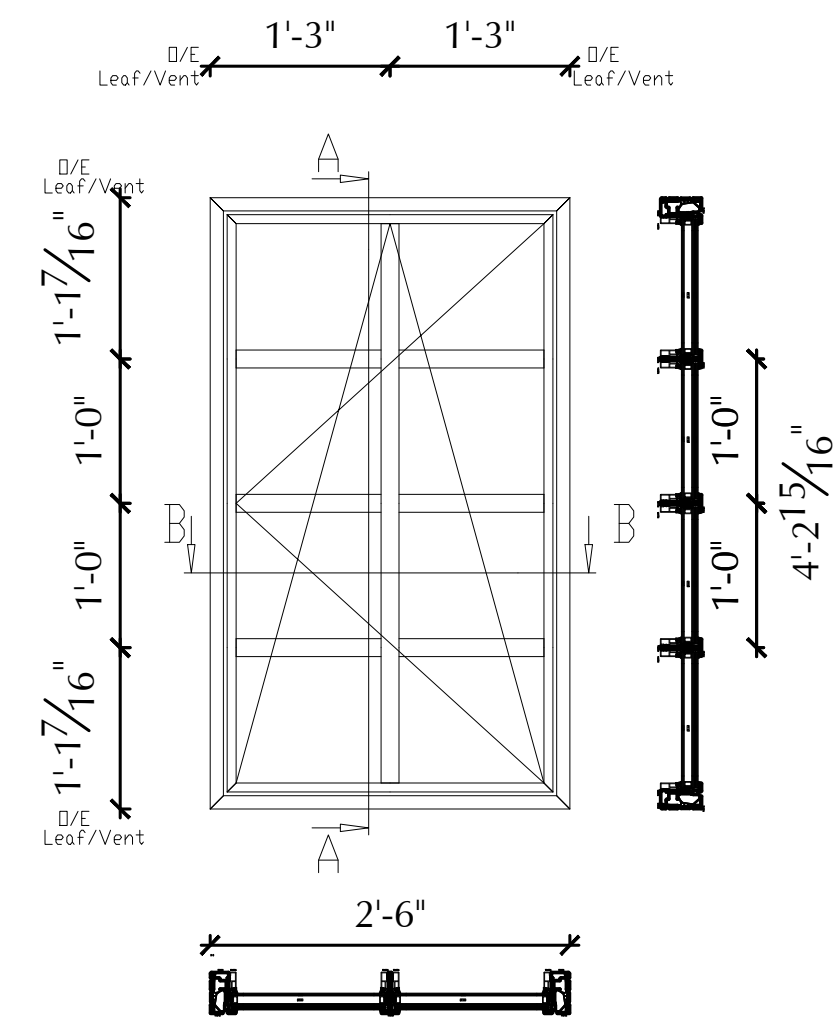
Pos. 014, Quantity: 2
 W-14, TYPE-IA
 Job: 134 Charles Str. RC2 Rev 5
 System: forster unico/unico XS XS Standard Aluminium XS Hi Dry
 Exterior View



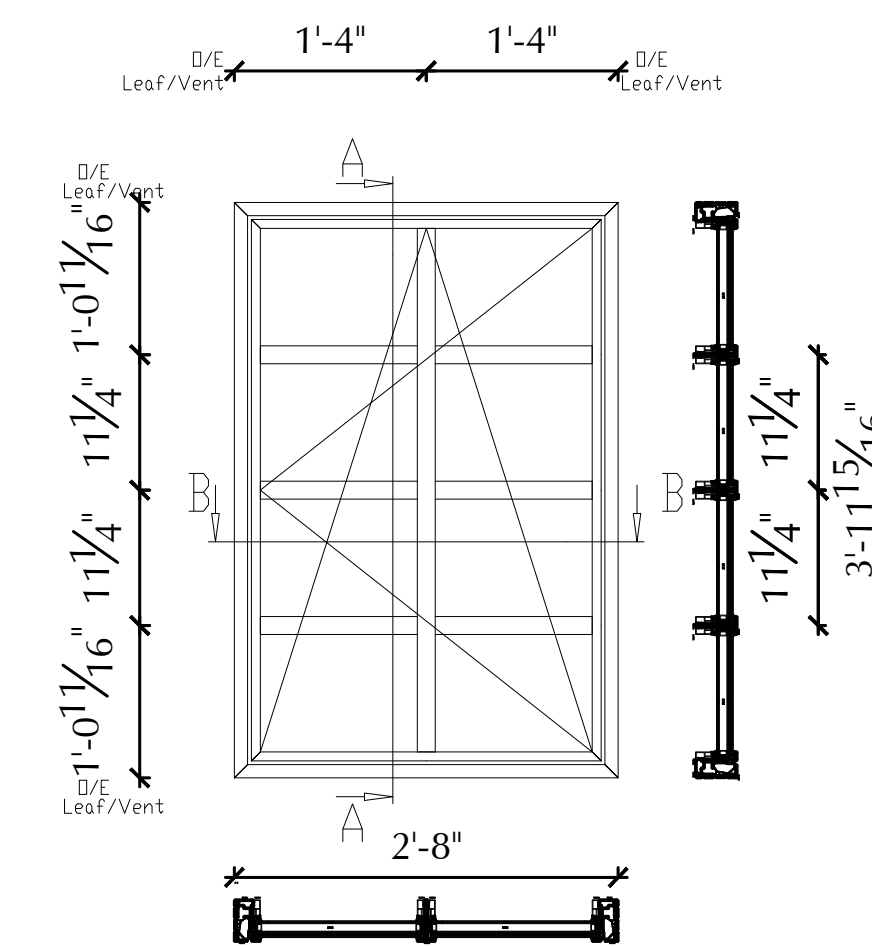
Pos. 015, Quantity: 2
 W-15, TYPE-J
 Job: 134 Charles Str. RC2 Rev 5
 System: forster unico/unico XS XS Burglar Resistance RC 2 Aluminium XS Hi Dry
 Exterior View



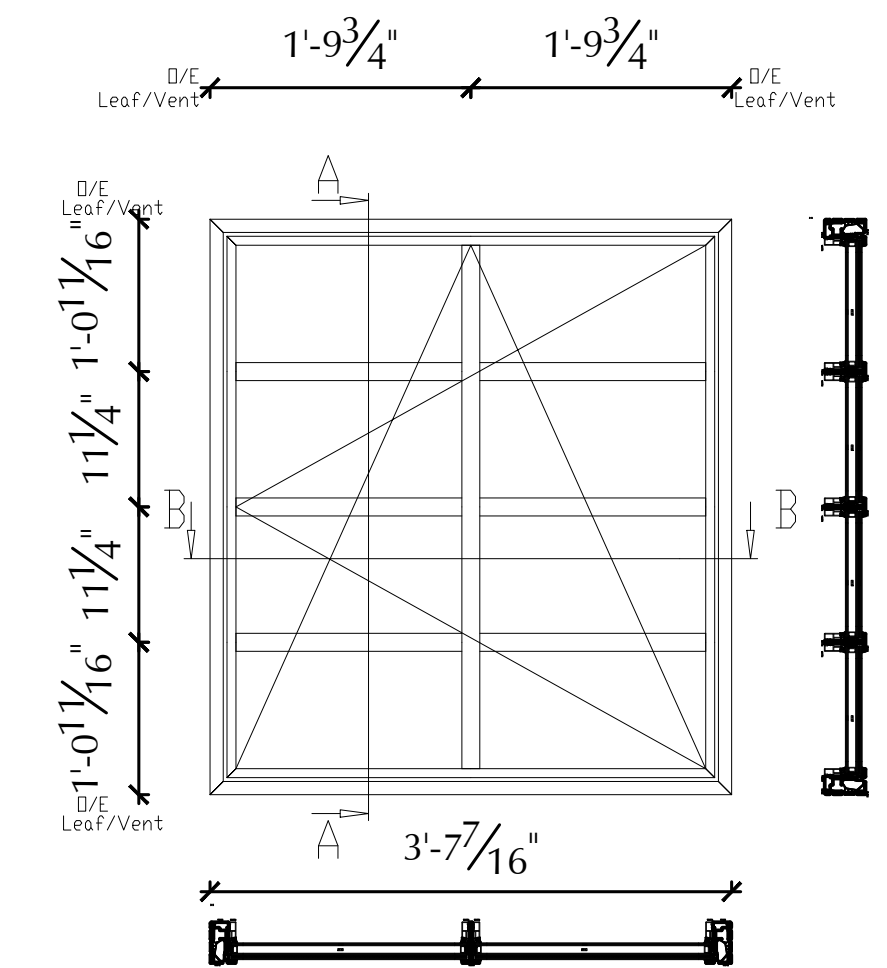
Pos. 016, Quantity: 1
 W-17, TYPE-F
 Job: 134 Charles Str. RC2 Rev 5
 System: forster unico/unico XS XS Standard Aluminium XS Hi Dry
 Exterior View



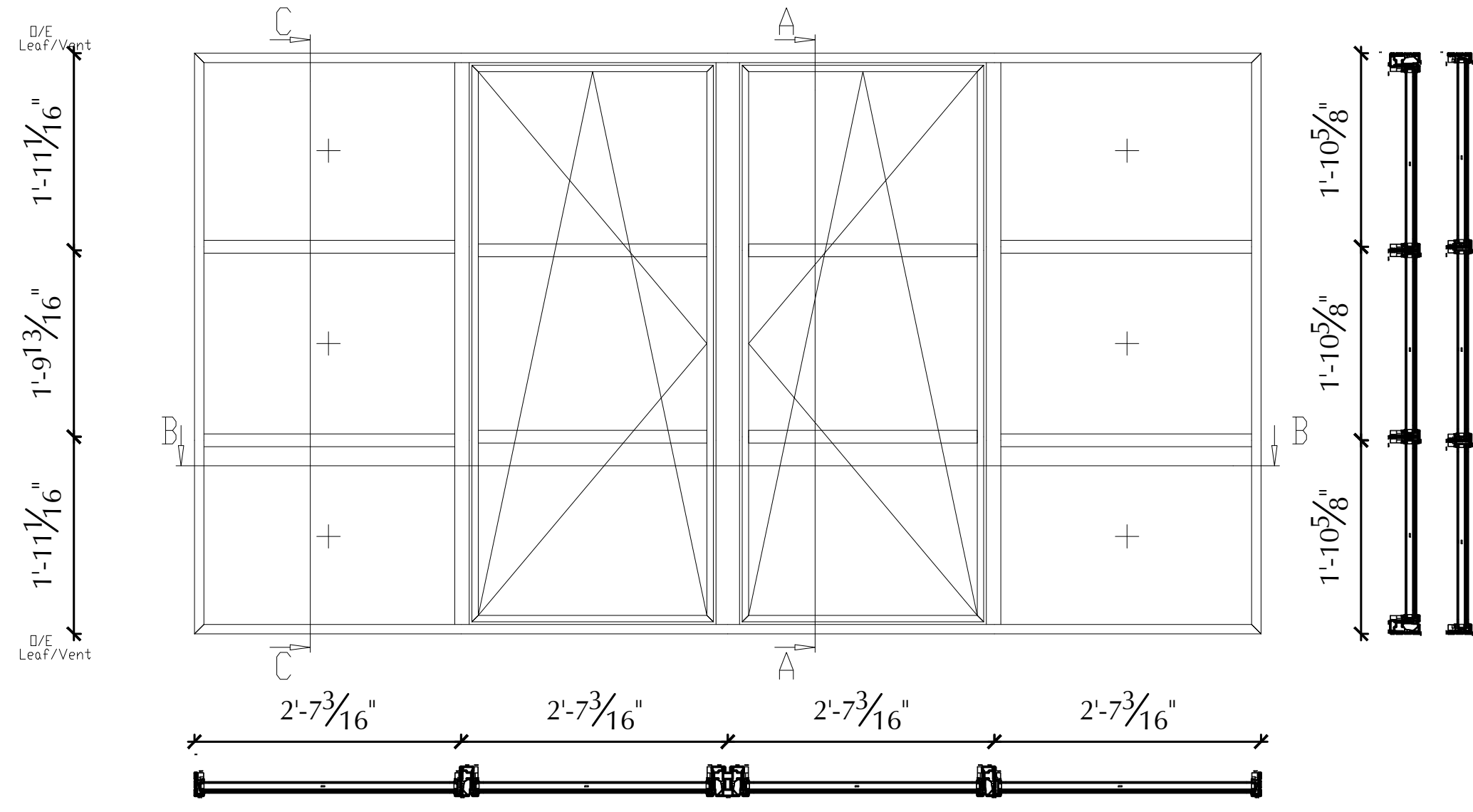
Pos. 017, Quantity: 1
 W-18, TYPE-F
 Job: 134 Charles Str. RC2 Rev 5
 System: forster unico/unico XS XS Standard Aluminium XS Hi Dry
 Exterior View



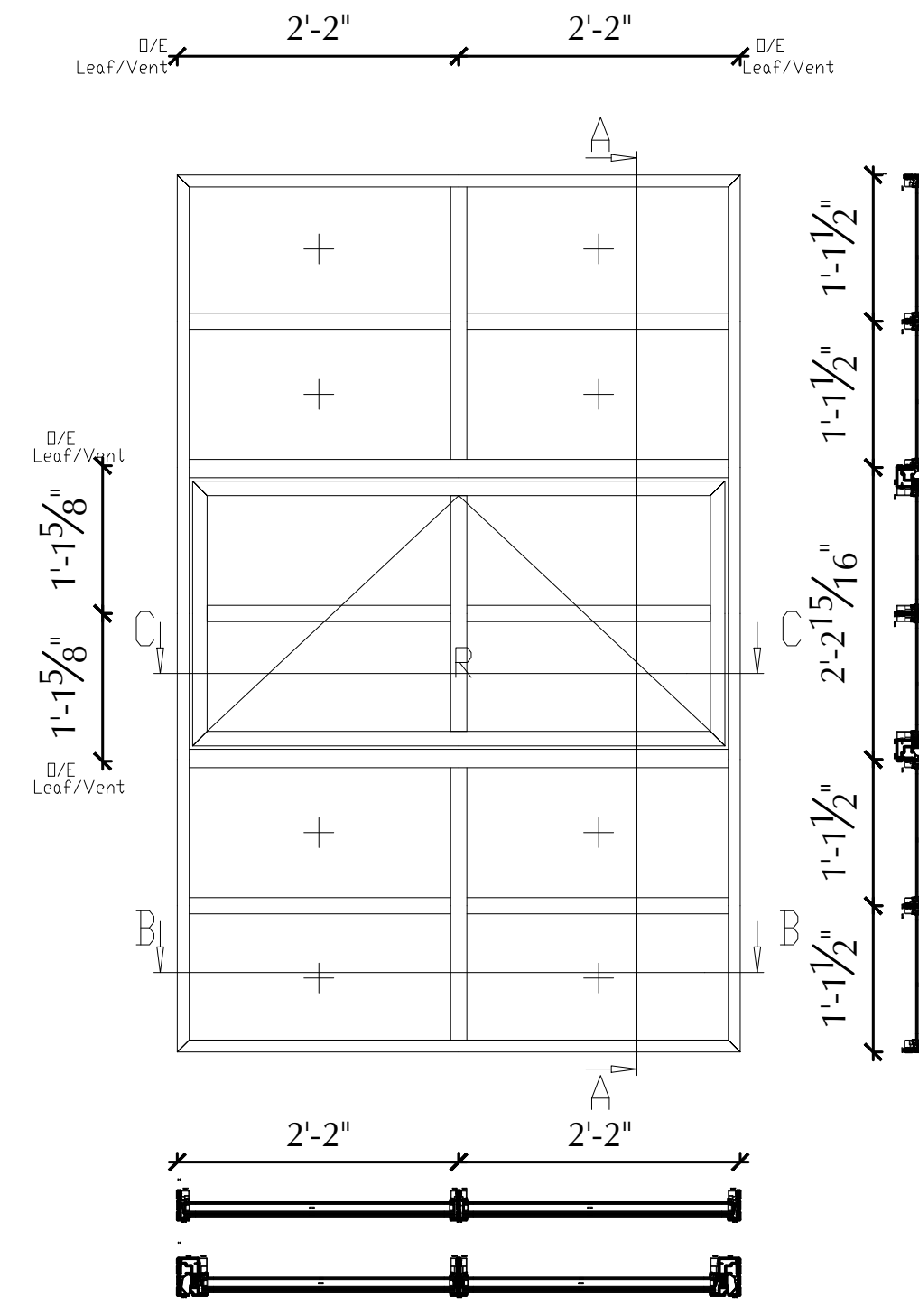
Pos. 018, Quantity: 1
 W-19, TYPE-F
 Job: 134 Charles Str. RC2 Rev 5
 System: forster unico/unico XS XS Standard Aluminium XS Hi Dry
 Exterior View



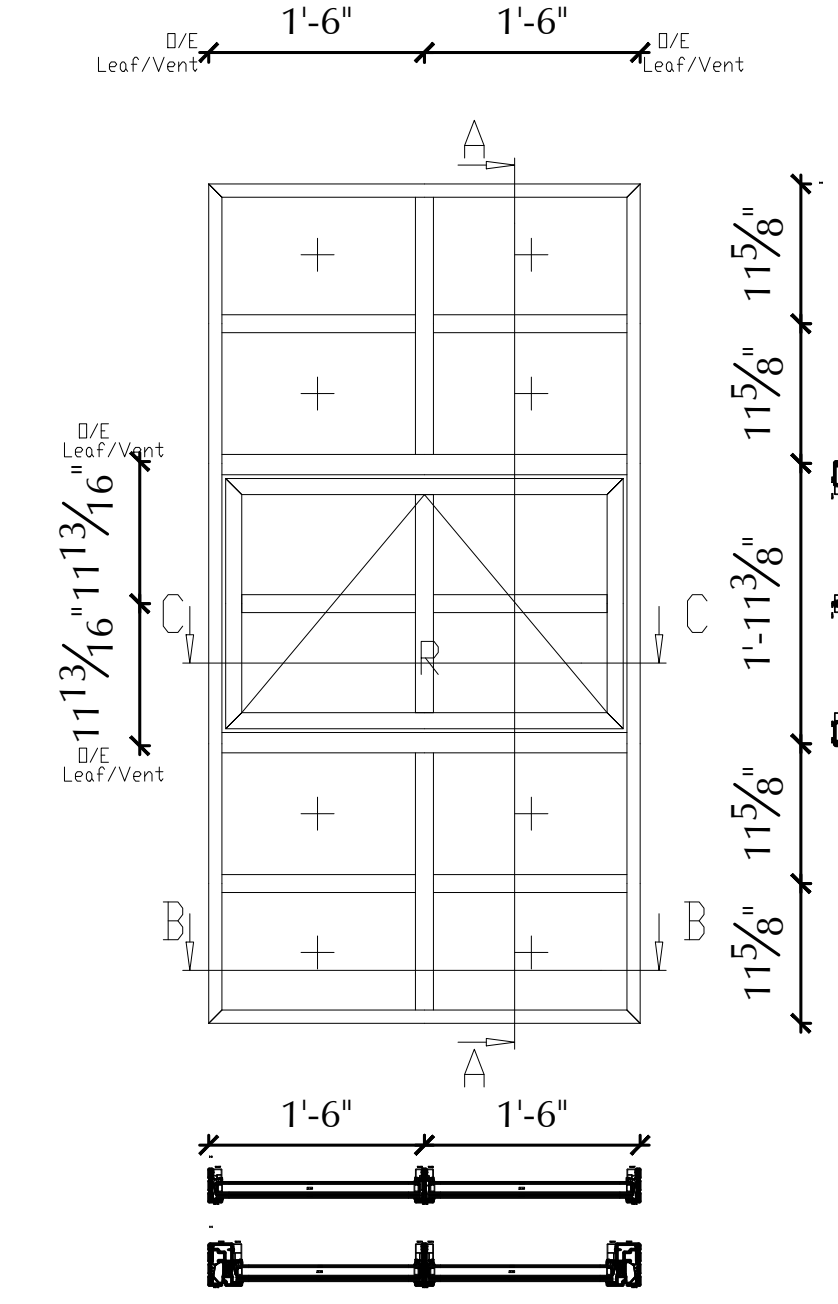
Pos. 019, Quantity: 1
 W-20, TYPE-L
 Job: 134 Charles Str. RC2 Rev 5
 System: Forster unico/unico XS XS Standard Aluminium XS Hi Dry
 Exterior View



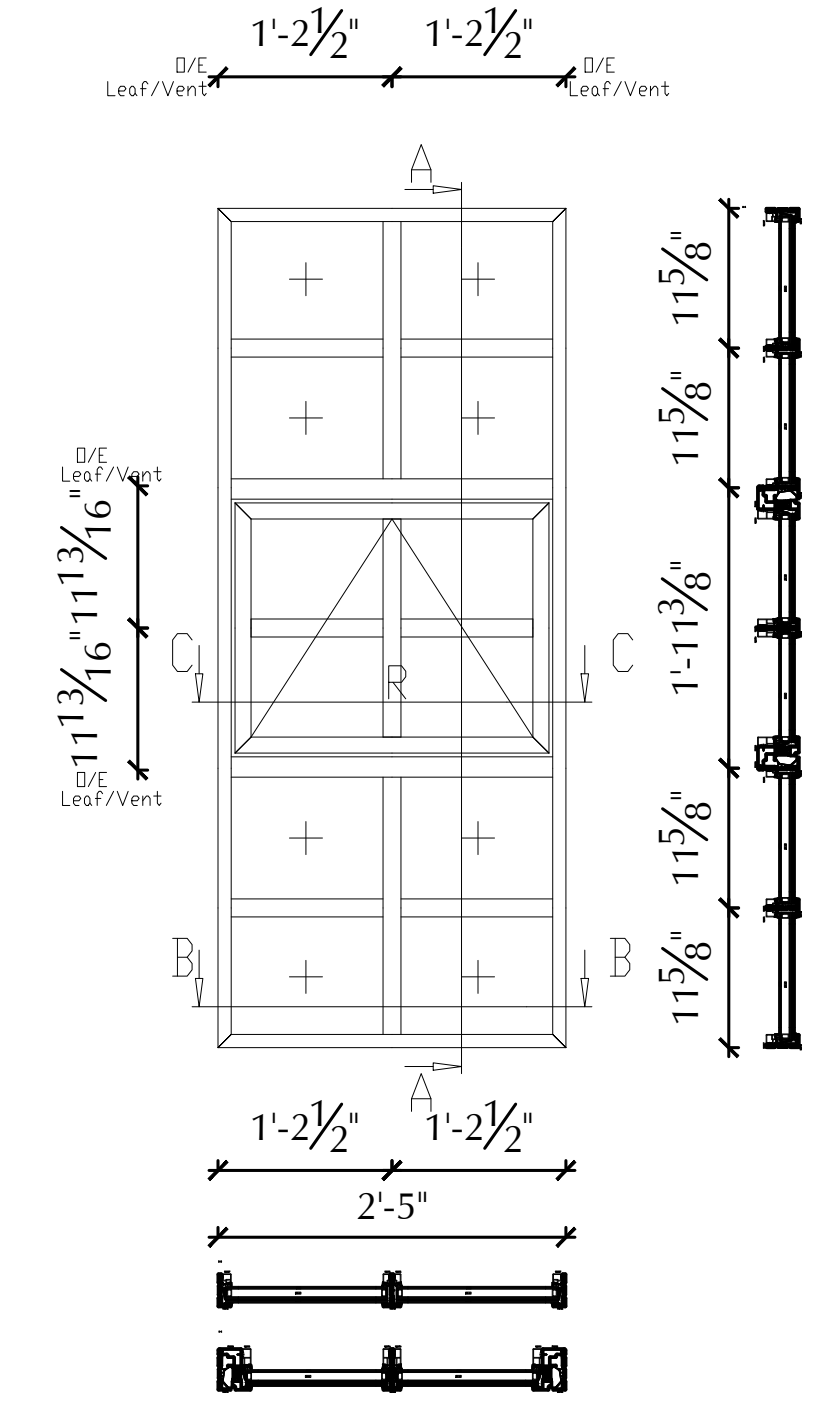
Pos. 020, Quantity: 2
 W-21, TYPE-M
 Job: 134 Charles Str. RC2 Rev 5
 System: Forster unico/unico XS XS Standard Aluminium XS Hi Dry
 Exterior View



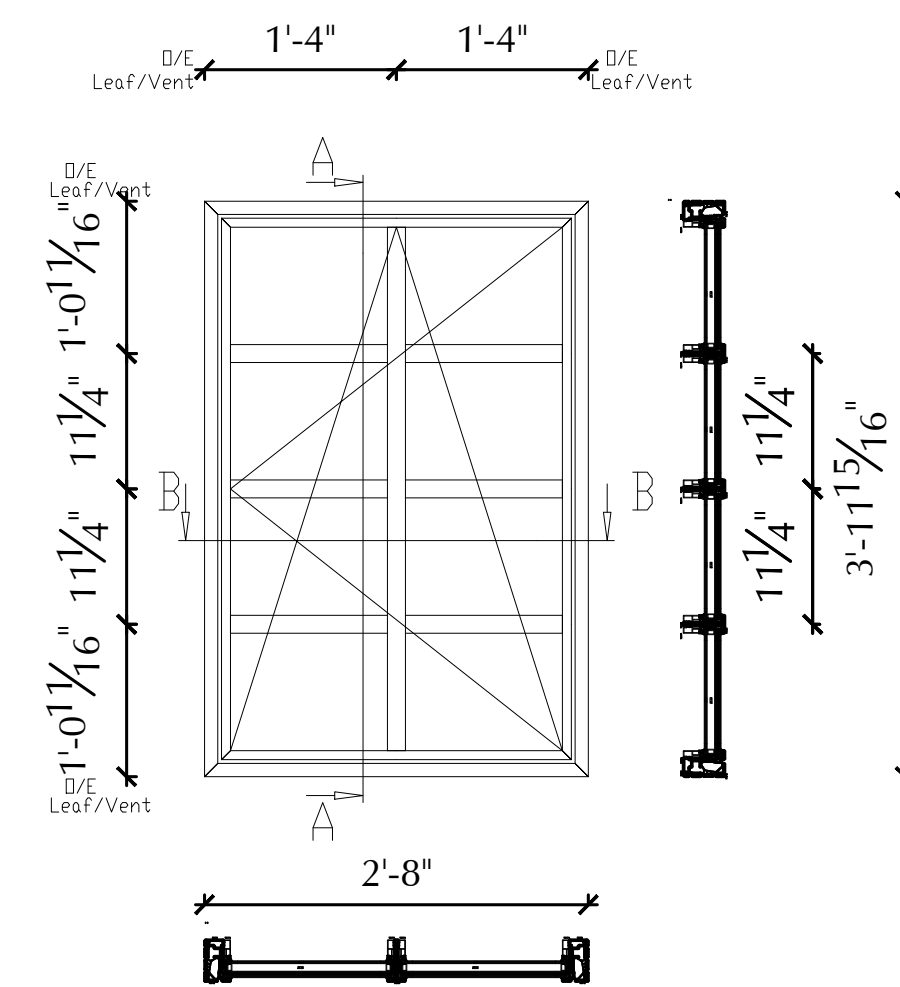
Pos. 021, Quantity: 2
 W-22, TYPE-M
 Job: 134 Charles Str. RC2 Rev 5
 System: Forster unico/unico XS XS Standard Aluminium XS Hi Dry
 Exterior View



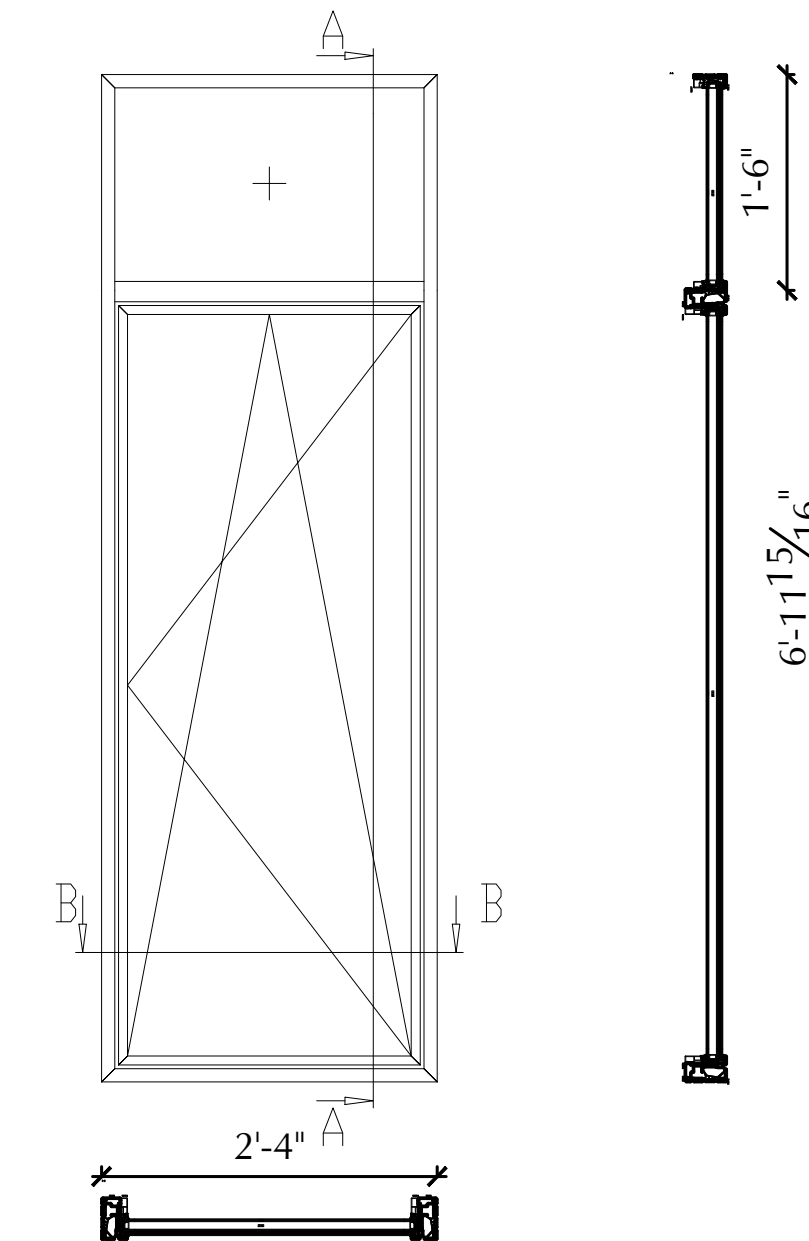
Pos. 022, Quantity: 2
 W-23, TYPE-M
 Job: 134 Charles Str. RC2 Rev 5
 System: Forster unico/unico XS XS Standard Aluminium XS Hi Dry
 Exterior View

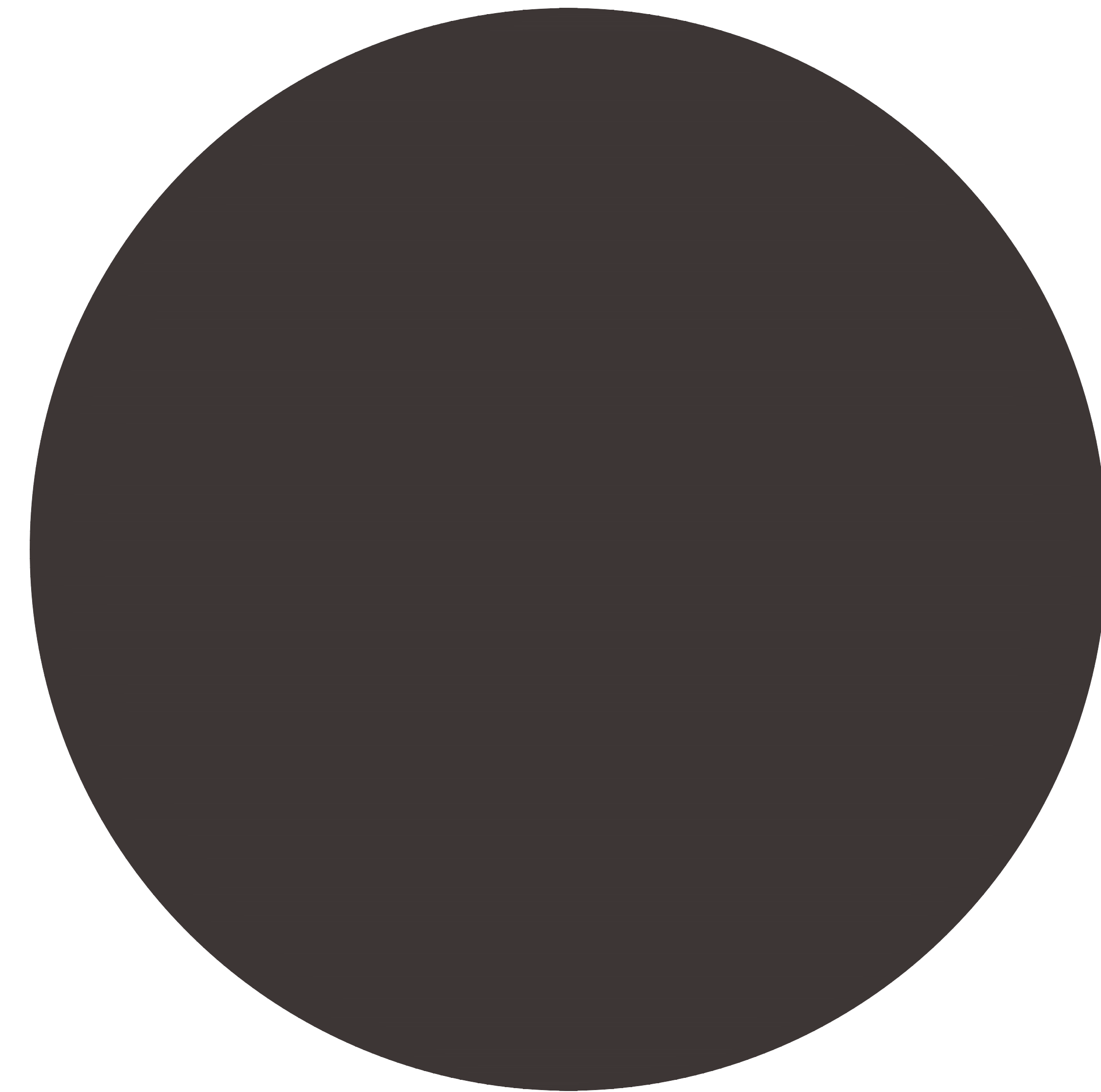


Pos. 023, Quantity: 1
 W-24, TYPE-F
 Job: 134 Charles Str. RC2 Rev 5
 System: Forster unico/unico XS XS Standard Aluminium XS Hi Dry
 Exterior View



Pos. 024, Quantity: 1
 W-25, TYPE-J
 Job: 134 Charles Str. RC2 Rev 5
 System: Forster unico/unico XS XS Burglar Resistance RC 2 Aluminium XS Hi Dry
 Exterior View



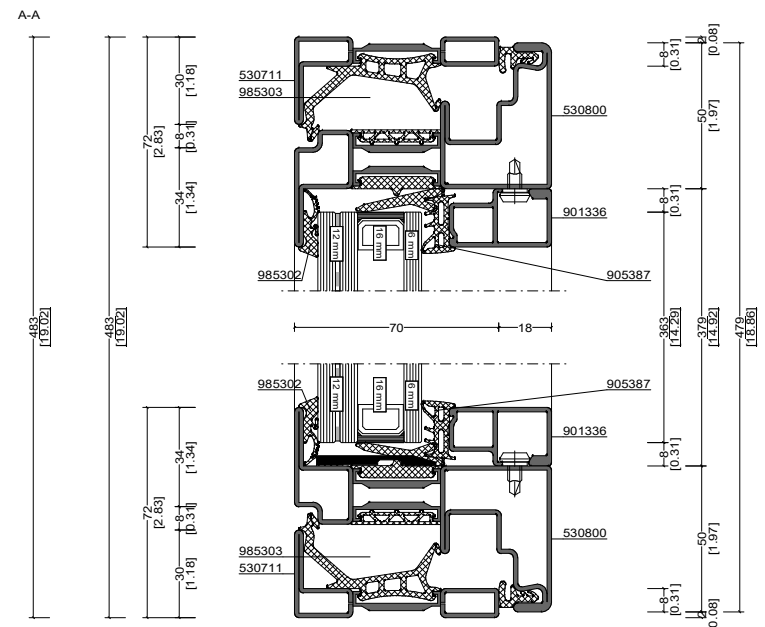
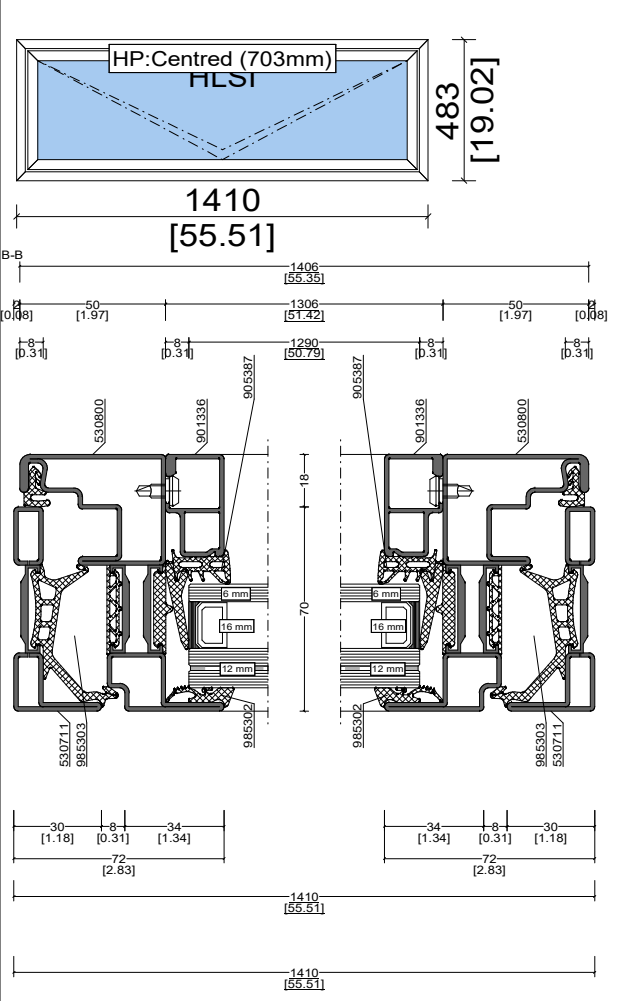


PROPOSED FORSTER WINDOW PRECEDENTS

PROPOSED MULLION COLOR:
RAL 8019 GREY BROWN EXTERIOR

Pos. 001, Quantity: 5
 W-1, TYPE-A
 Finish: RAL 1000
 Job: 134 Charles Str.
 System: forster unico/unico XS XS Standard Aluminium XS Hi Dry
 Exterior View

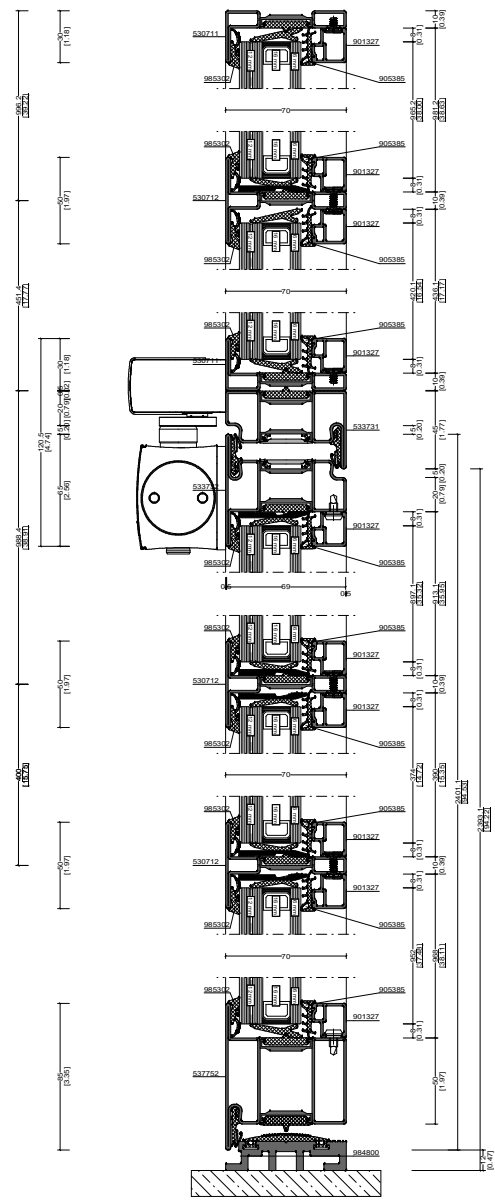
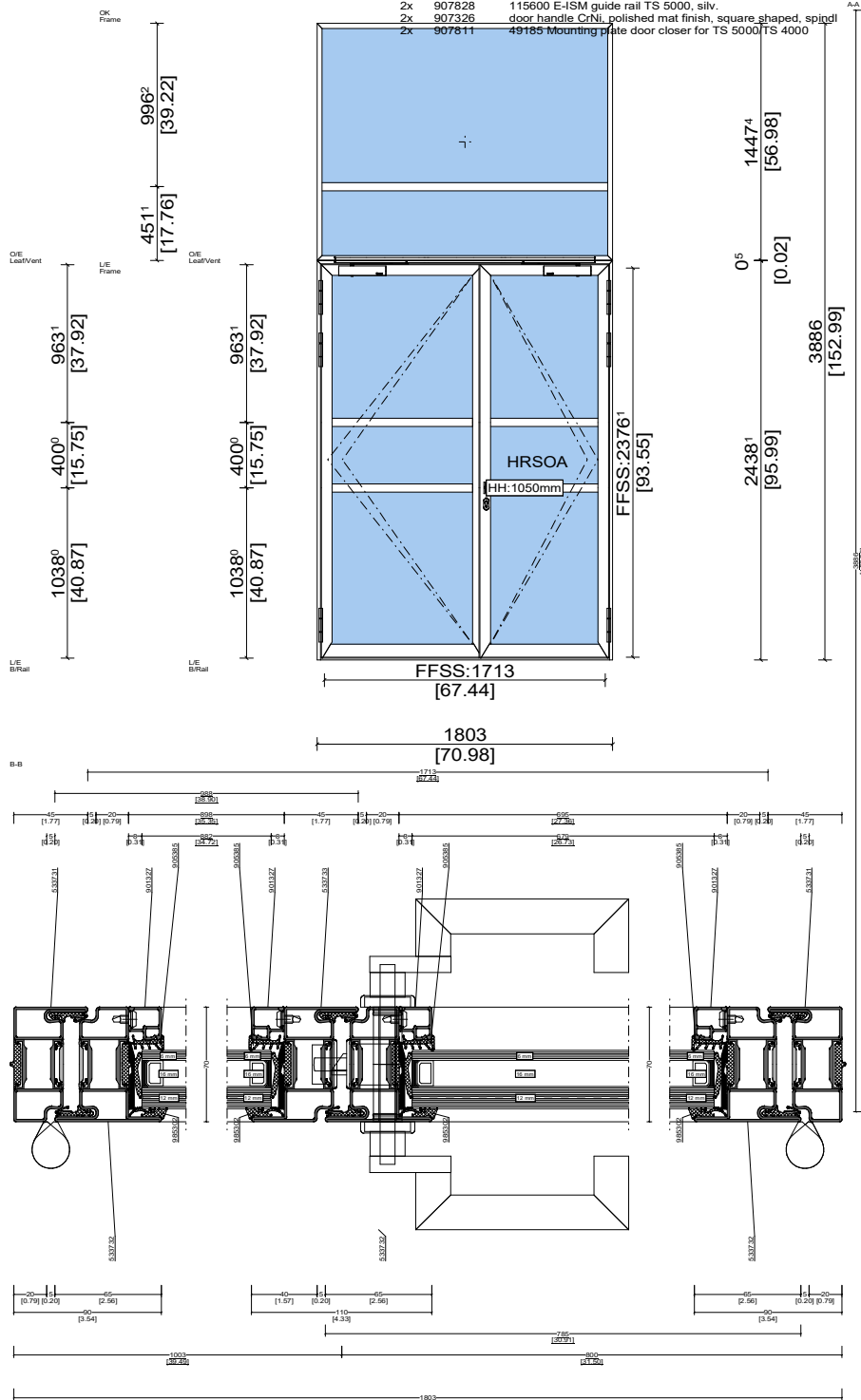
- 1x 987184 RC2 tilt fitting, RC2, FFB 1201-1600 / FFH 350-1200
- 3x 987605 set cover caps titan (for 5 tilt only leaf)
- 1x 987302 window handle, lockable, aluminium, colourless anodized E6 E



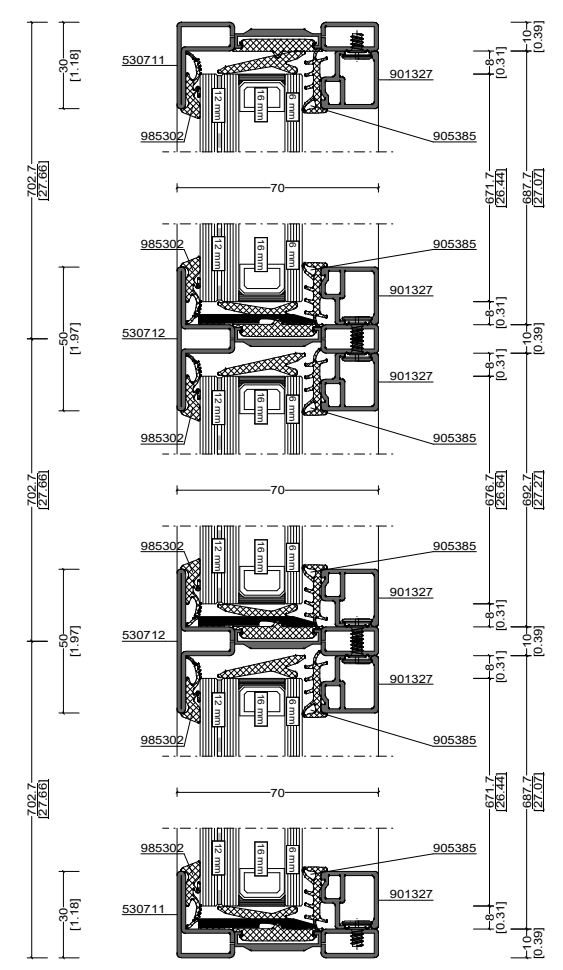
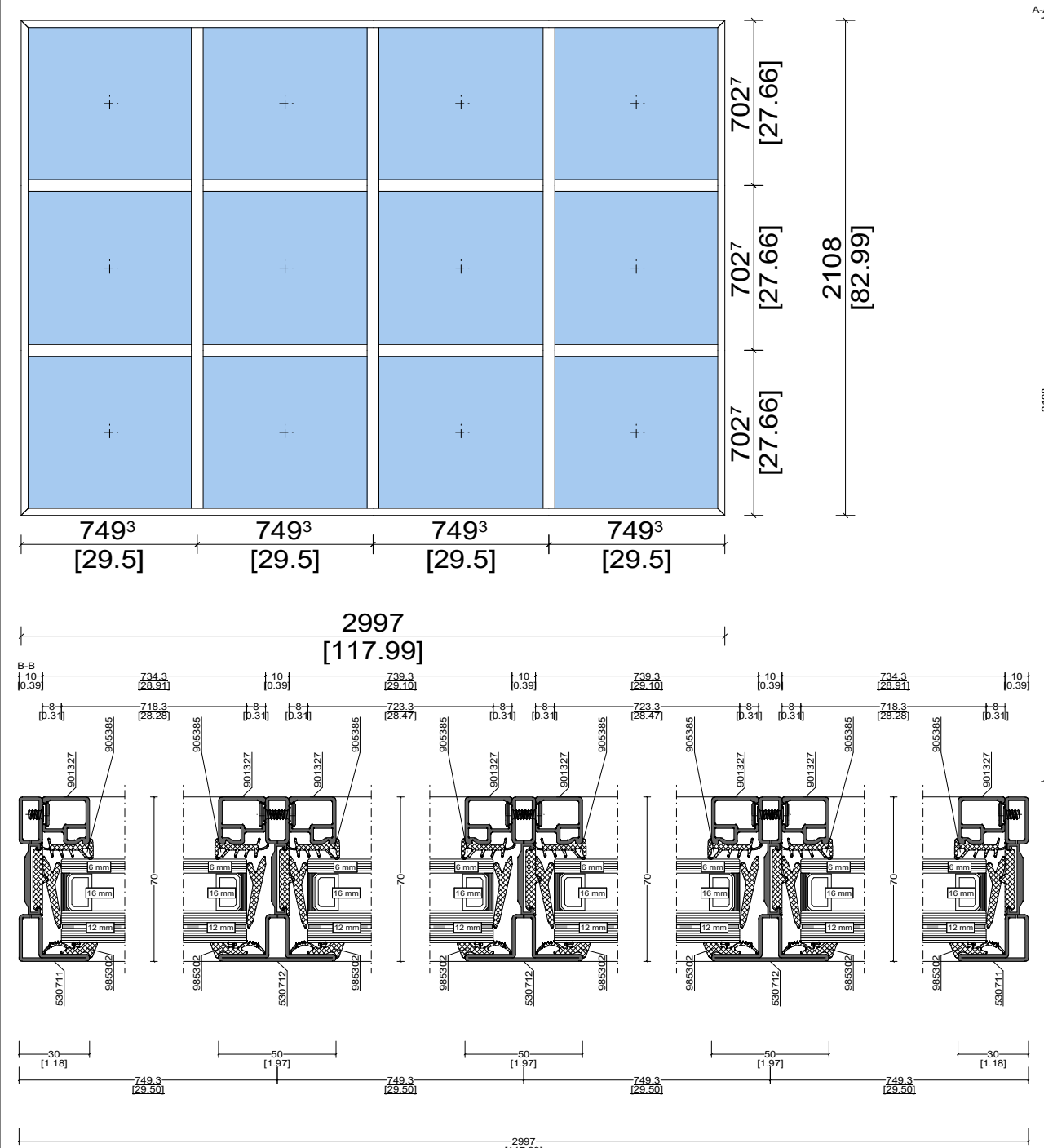
Window Type - W-1 A(A)
 W-1 B(A)

Pos. 002, Quantity: 1
 W-2, TYPE-B
 Finish: RAL 1000
 Job: 134 Charles Str.
 System: forster unico/unico XS XS Standard Aluminium XS Hi Dry
 Exterior View

- 1x 907574 keep for electric door opener
- 1x 987499 single mortise lock, PC, DIN left/right, function W, backset
- 2x 987071 steel anchoring clip
- 1x 907372 standard door handle shaft, spindle 9 mm, L=109 mm
- 2x 907809 27333 GEZE TS 5000 Overhead door closer with guide rail
- 6x 907669 weld-on hinge, bright steel, in 3 parts, adjustable in height
- 2x 907353 rosette, PC, CrNi, polished mat finish, round, invisible fastener
- 1x 907103 carry bar, attached
- 2x 907828 115600 E-ISM guide rail TS 5000, silv.
- 2x 907326 door handle CrNi, polished mat finish, square shaped, spindle
- 2x 907811 49185 Mounting plate door closer for TS 5000/TS 4000

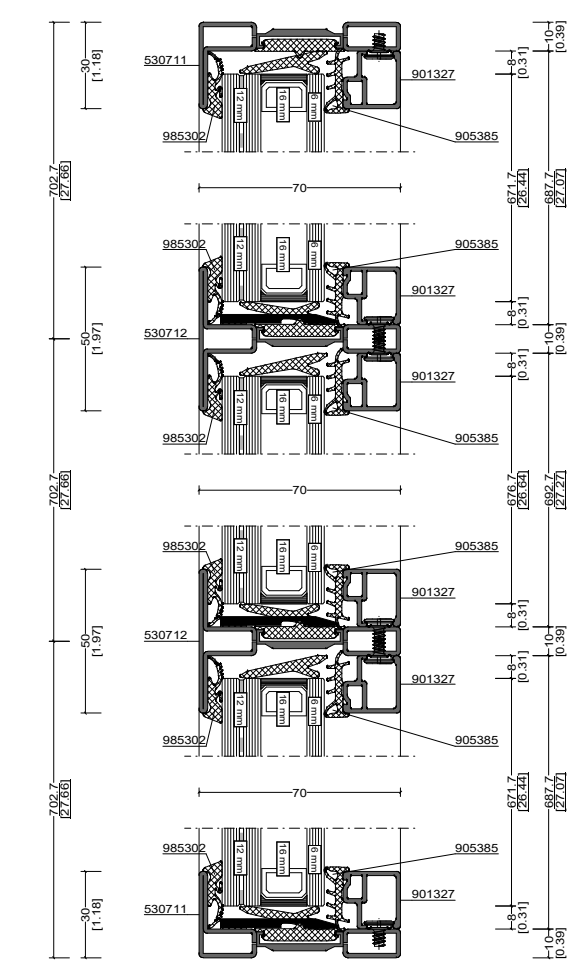
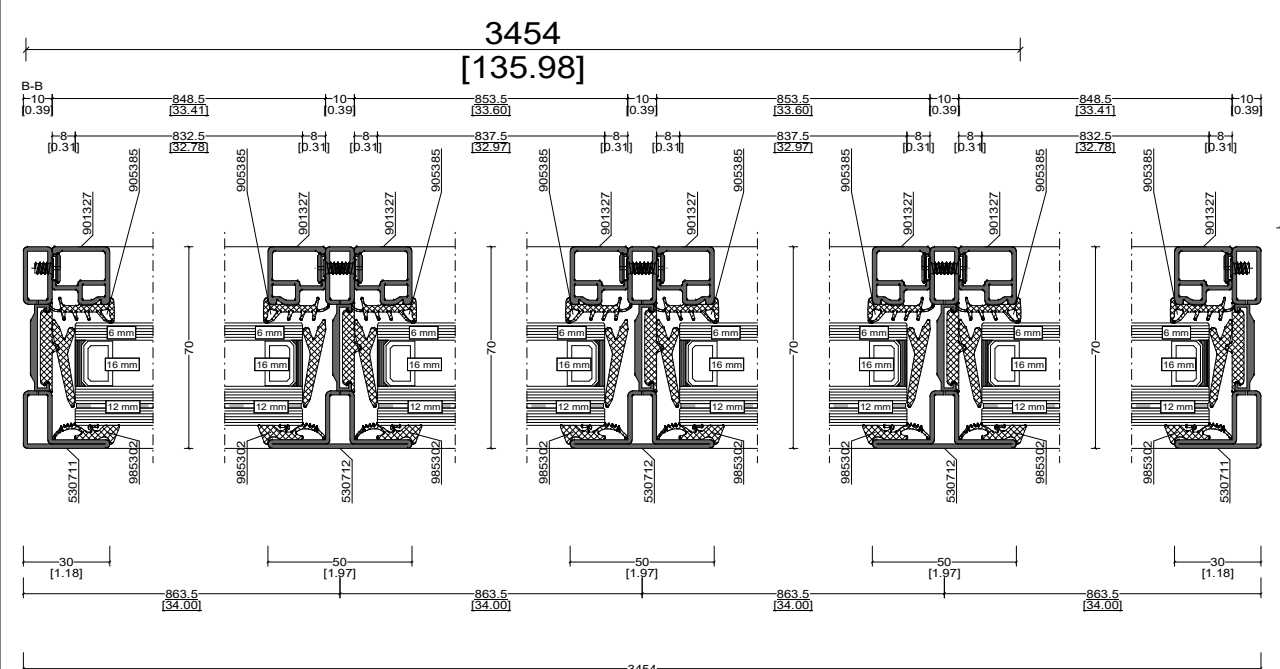
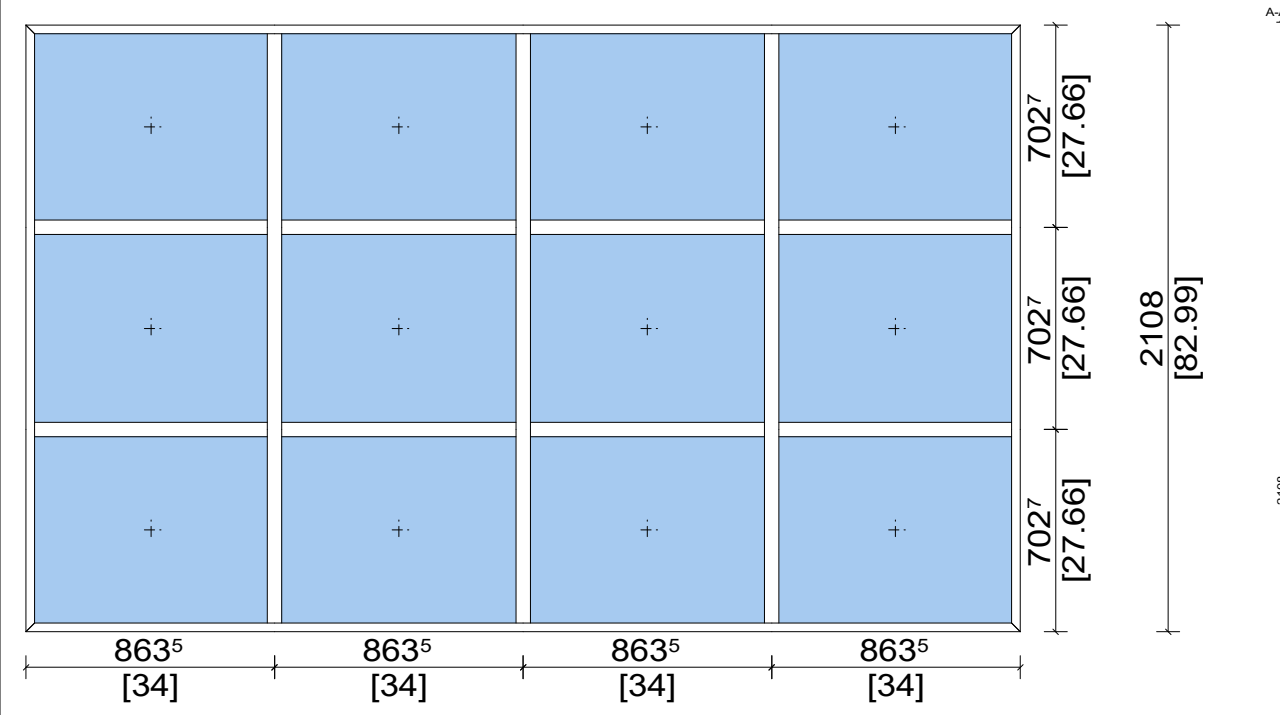


Window Type - W-2 B



Window Type - W-3 C

Pos. 004, Quantity: 1
 W-4, TYPE-C
 Finish: RAL 1000
 Job: 134 Charles Str.
 System: forster unico/unico XS XS Standard Aluminium XS Hi Dry
 Exterior View

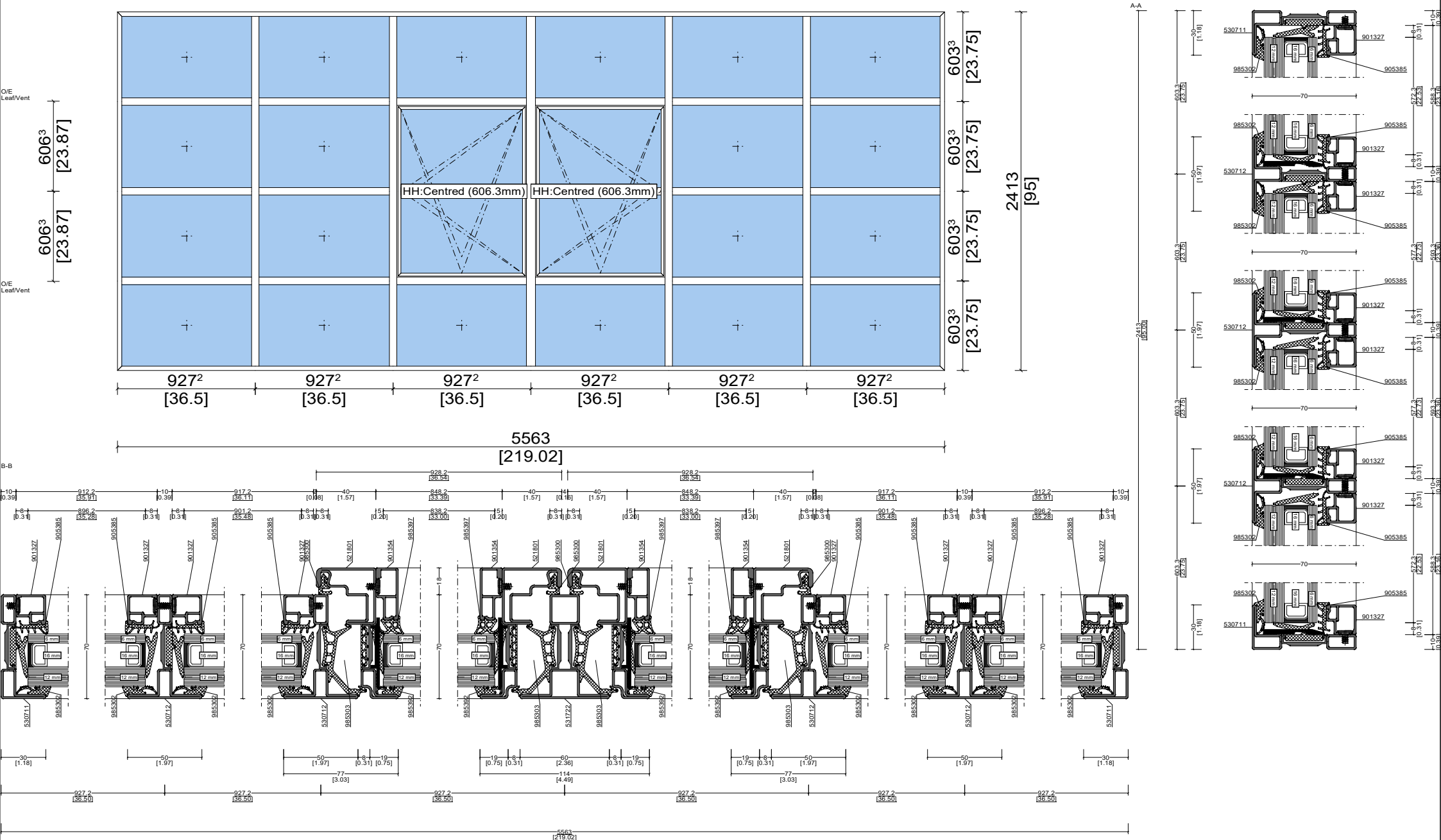


Window Type - W-4 C

Pos. 006, Quantity: 1
 W-6, TYPE-E
 Finish: RAL 1000
 Job: 134 Charles Str.
 System: forster unico/unico XS XS Standard Aluminium XS Hi Dry
 Exterior View

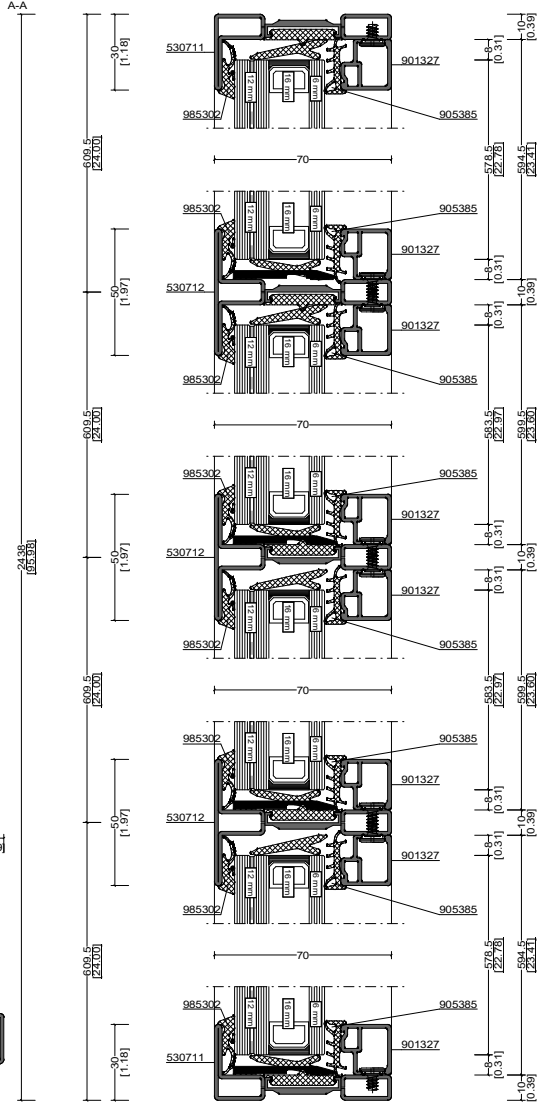
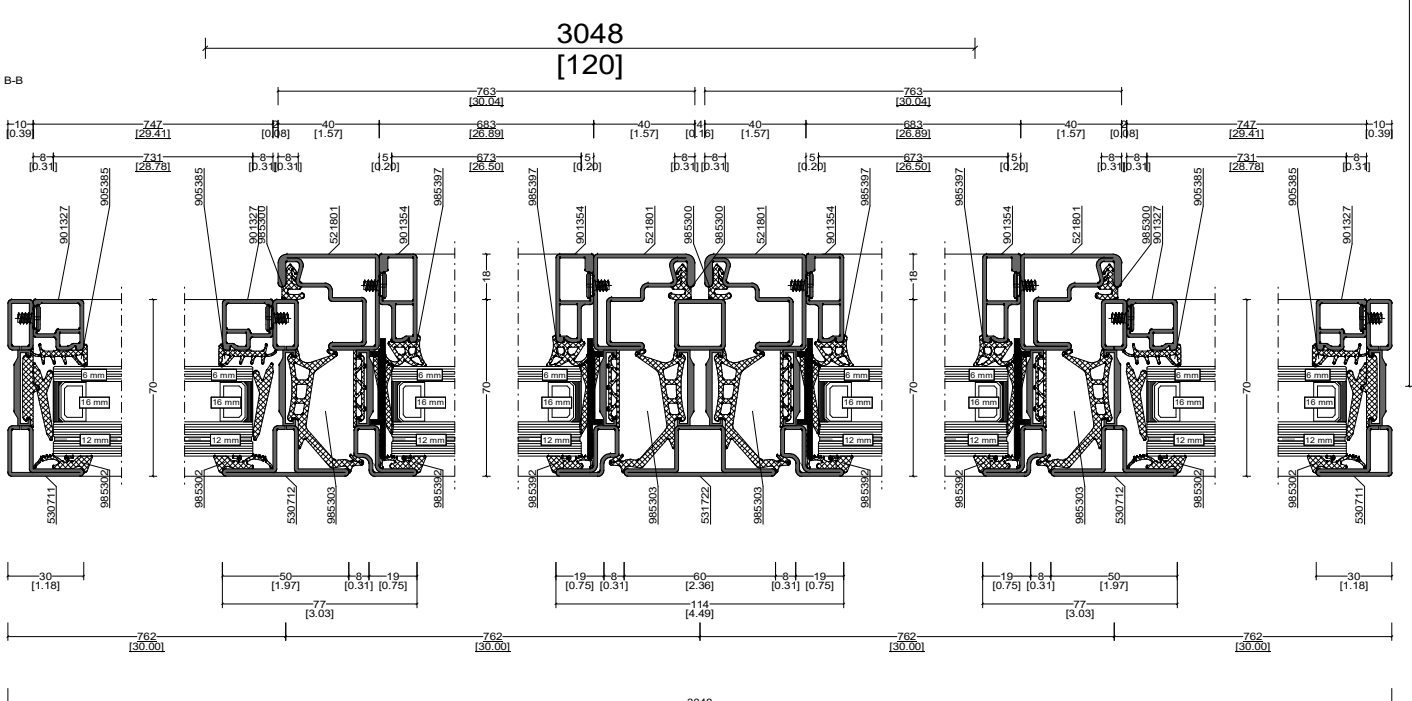
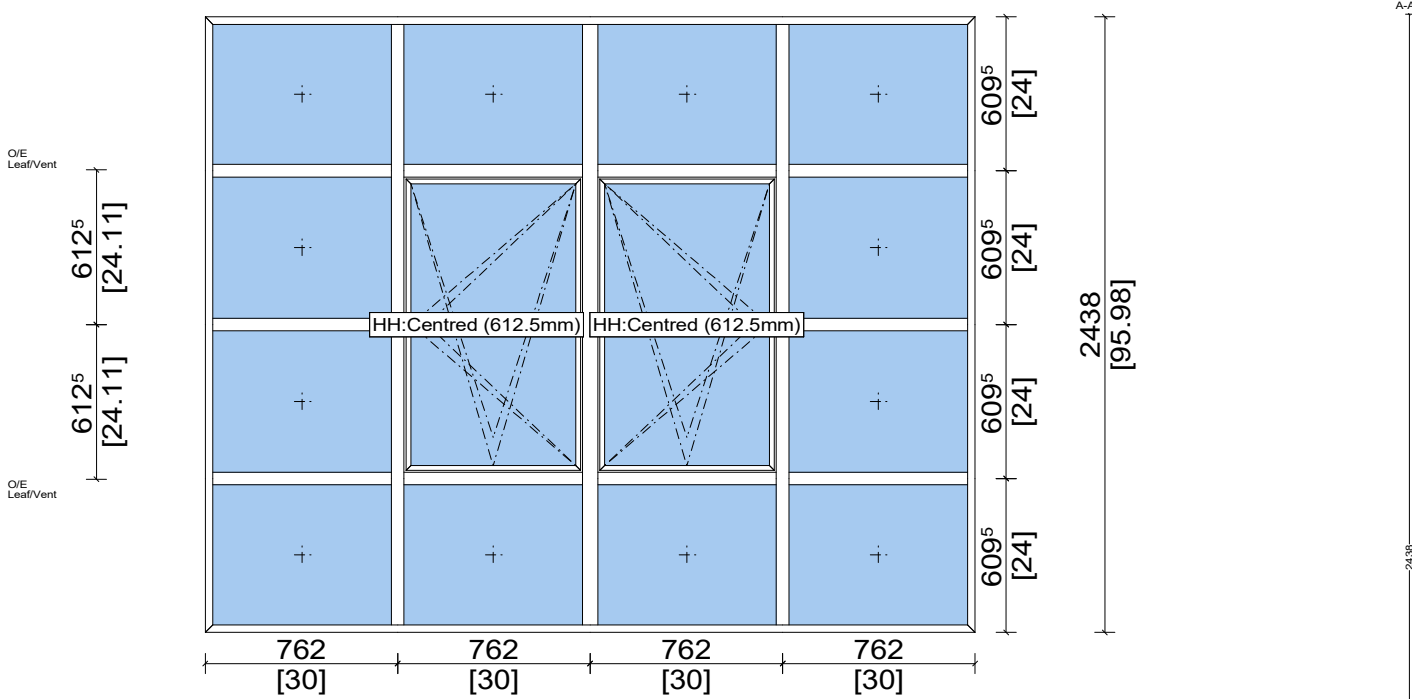
- 2x 987302 window handle, lockable, aluminium, colourless anodized E6 E
- 1x 987142 R RC2 set turn/tilt and turn fitting, concealed, unico XS, RC2, FF
- 1x 987141 R RC2 set turn/tilt and turn fitting, concealed, unico XS, RC2, FF

Window Type - W-6 E



Pos. 007, Quantity: 2
 W-7, TYPE-D
 Finish: RAL 1000
 Job: 134 Charles Str.
 System: forster unico/unico XS XS Standard Aluminium XS Hi Dry
 Exterior View

2x 987302 window handle, aluminium, colourless anodized E6 E
 1x 987130 R RC2 set turn/tilt and turn fitting, concealed, unico XS, RC2, FF
 1x 987129 R RC2 set turn/tilt and turn fitting, concealed, unico XS, RC2, FF

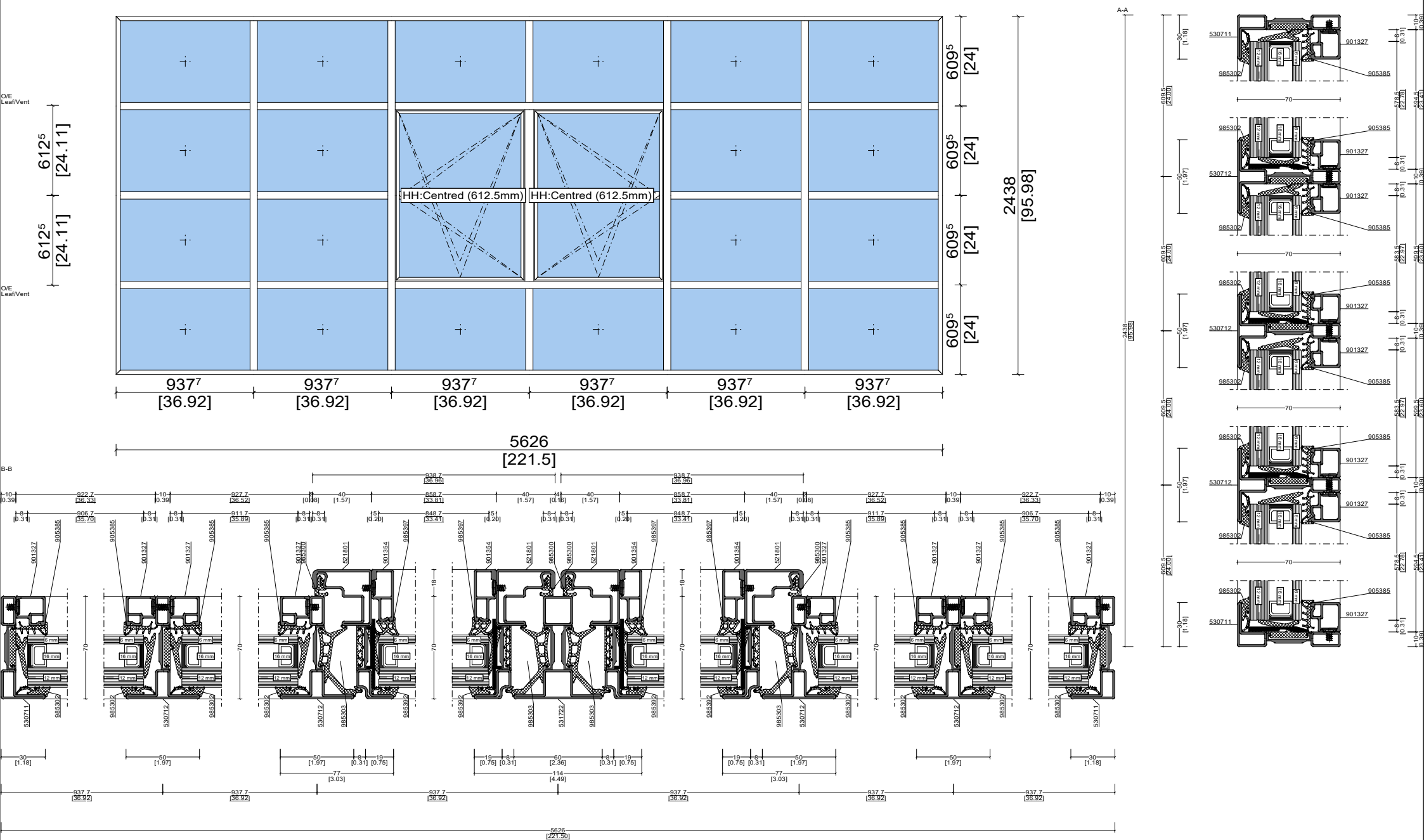


Window Type - W-7 D

Pos. 008, Quantity: 1
 W-8, TYPE-E
 Finish: RAL 1000
 Job: 134 Charles Str.
 System: forster unico/unico XS XS Standard Aluminium XS Hi Dry
 Exterior View

- 2x 987302 window handle, lockable, aluminium, colourless anodized E6 E
- 1x 987142 R RC2 set turn/tilt and turn fitting, concealed, unico XS, RC2, FF
- 1x 987141 R RC2 set turn/tilt and turn fitting, concealed, unico XS, RC2, FF

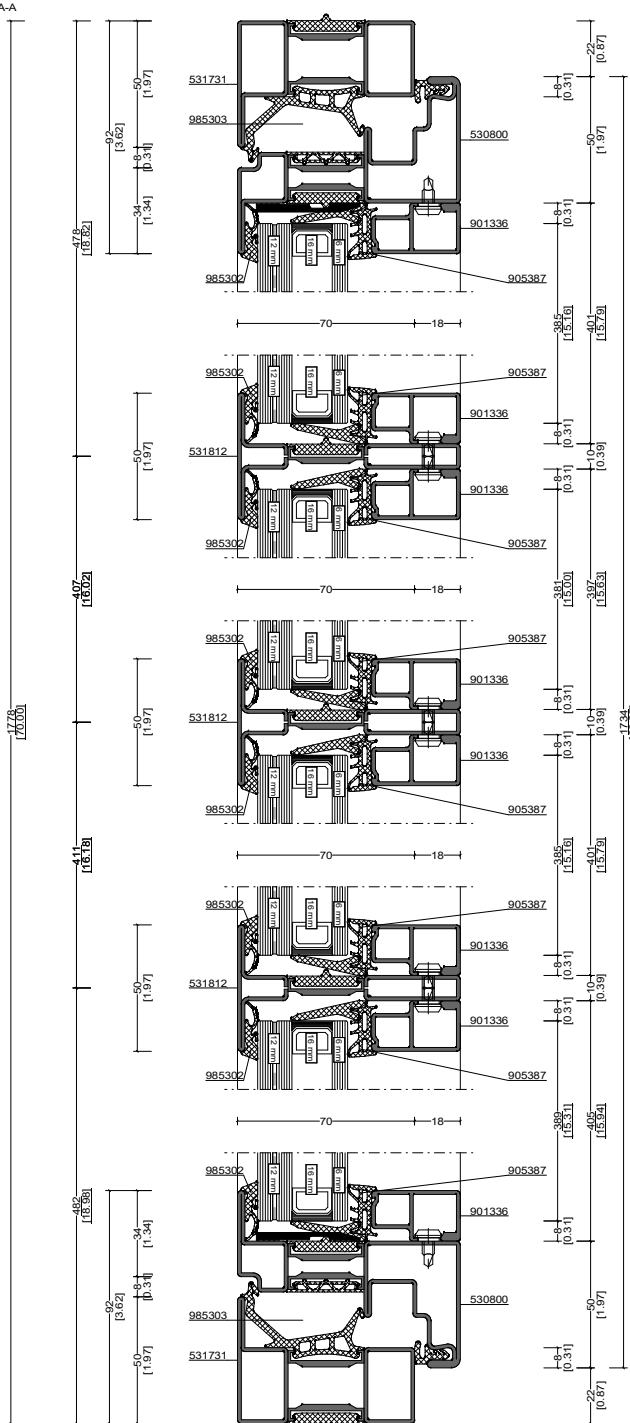
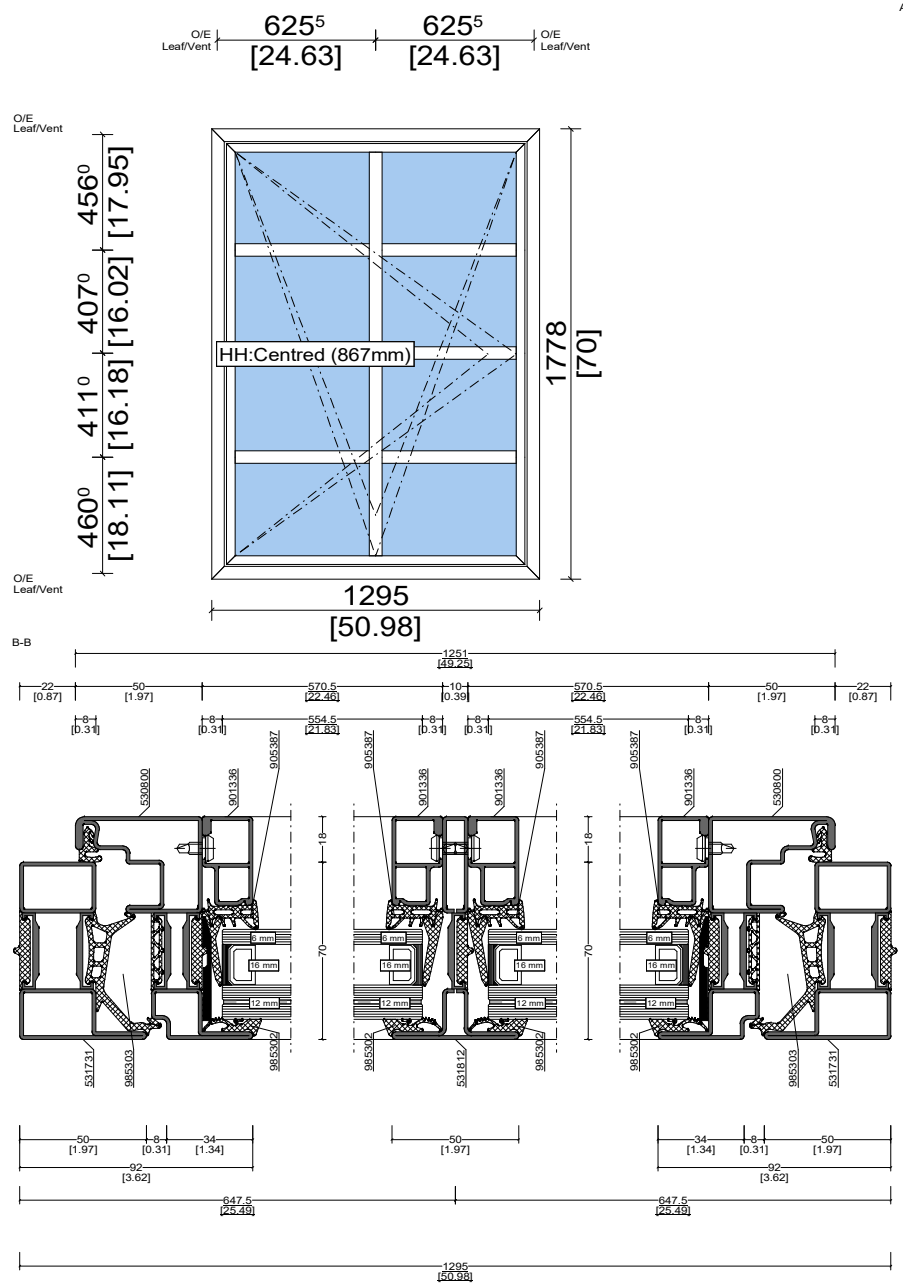
Window Type - W-8 E



Pos. 009, Quantity: 5
 W-9, TYPE-F
 Finish: RAL 1000
 Job: 134 Charles Str.
 System: forster unico/unico XS XS Standard Aluminium XS Hi Dry
 Exterior View

- 1x 987167 RC2 set turn/tilt and turn fitting, RC2, FFB 1201-1400 / FFH 160
- 1x 987302 window handle, lockable, aluminium, colourless anodized E6 E
- 1x 987602 set cover caps titan (for 5 turn/tilt and turn leaf)

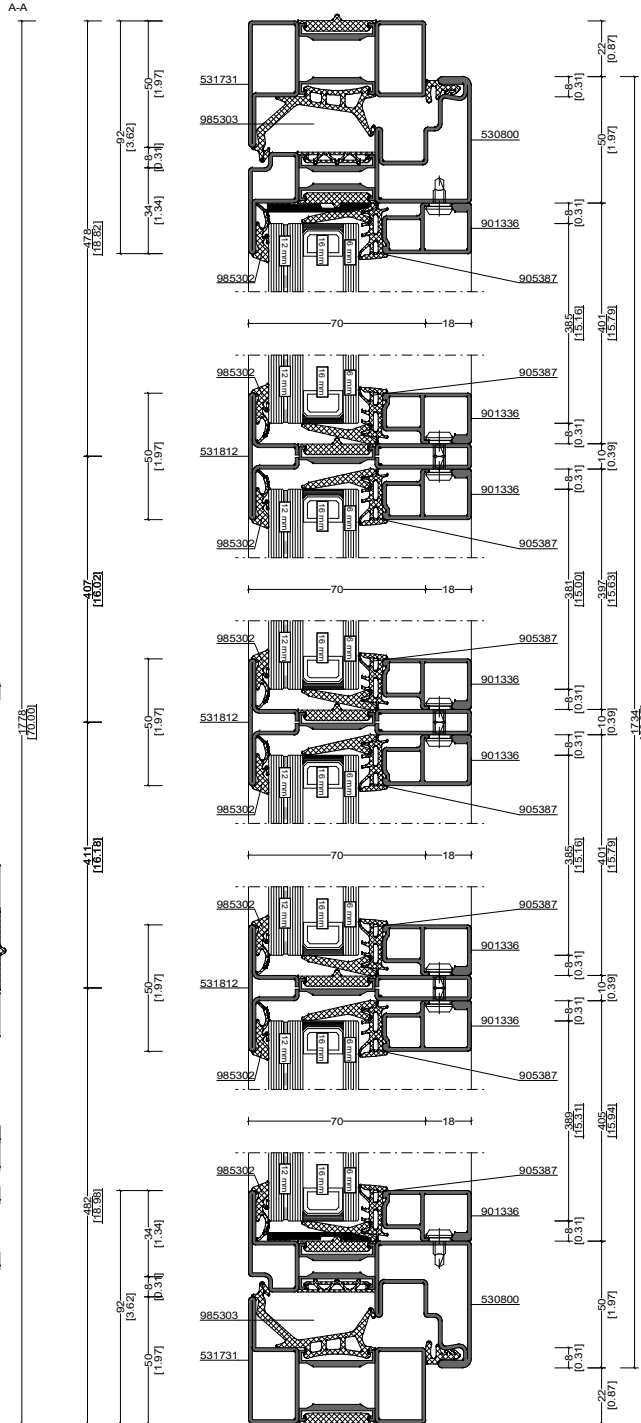
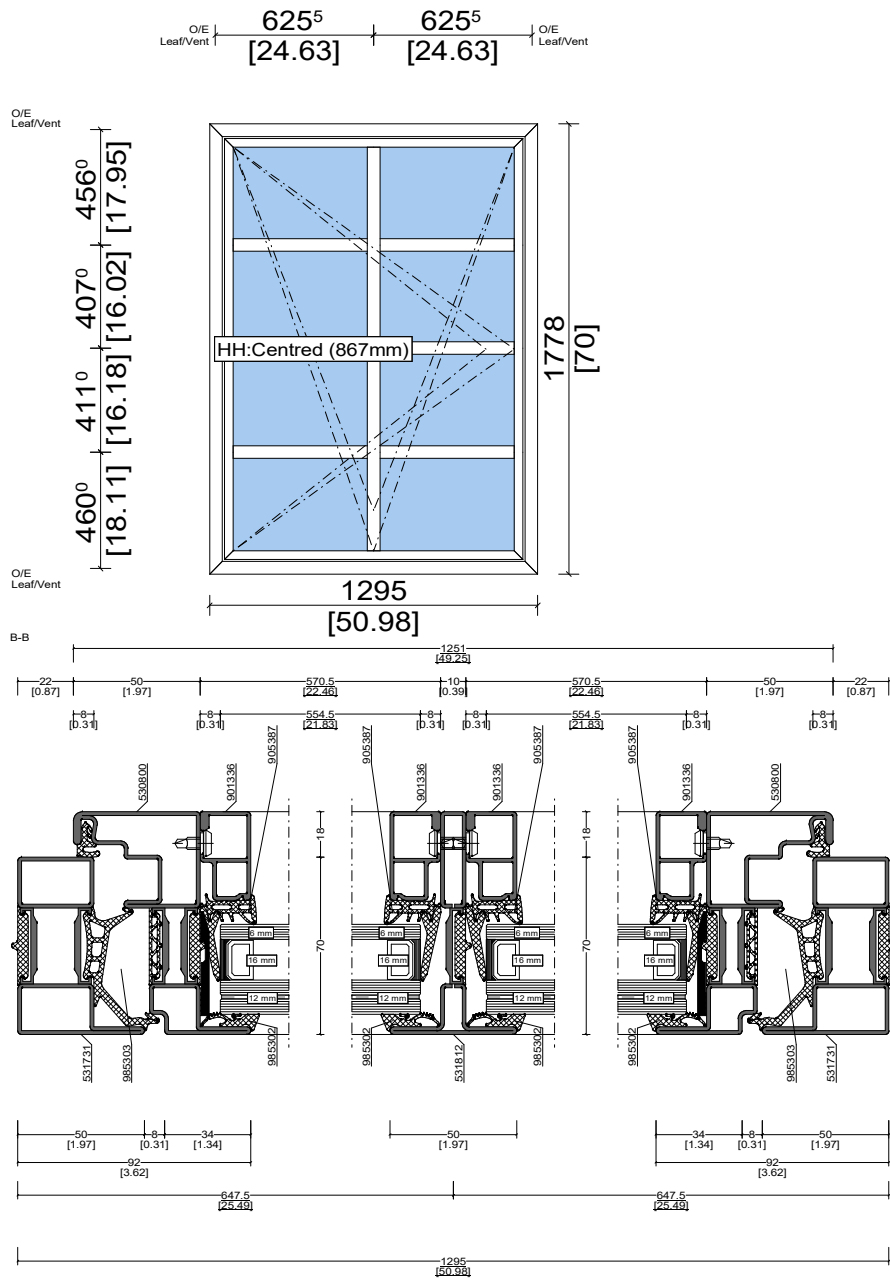
Window Type - W-9 F



Pos. 010, Quantity: 1
 W-10, TYPE-G
 Finish: RAL 1000
 Job: 134 Charles Str.
 System: forster unico/unico XS XS Standard Aluminium XS Hi Dry
 Exterior View

- 1x 987167 RC2 set turn/tilt and turn fitting, RC2, FFB 1201-1400 / FFH 160
- 1x 987302 window handle, lockable, aluminium, colourless anodized E6 E
- 1x 987602 set cover caps titan (for 5 turn/tilt and turn leaf)

Window Type - W-10 G



Pos. 012, Quantity: 4

W-12, TYPE-H

Finish: RAL 1000

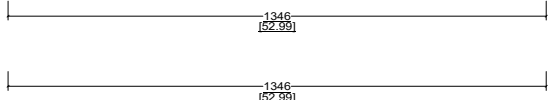
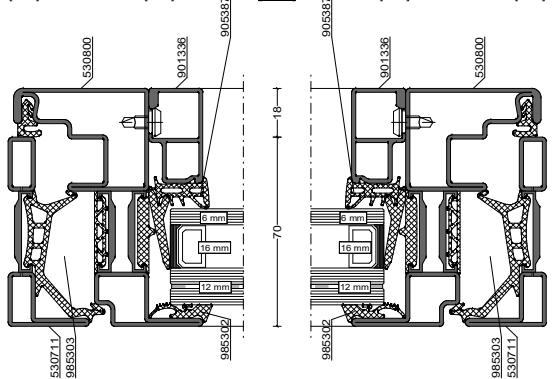
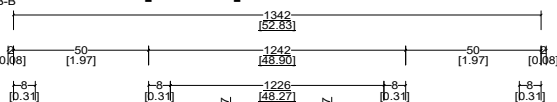
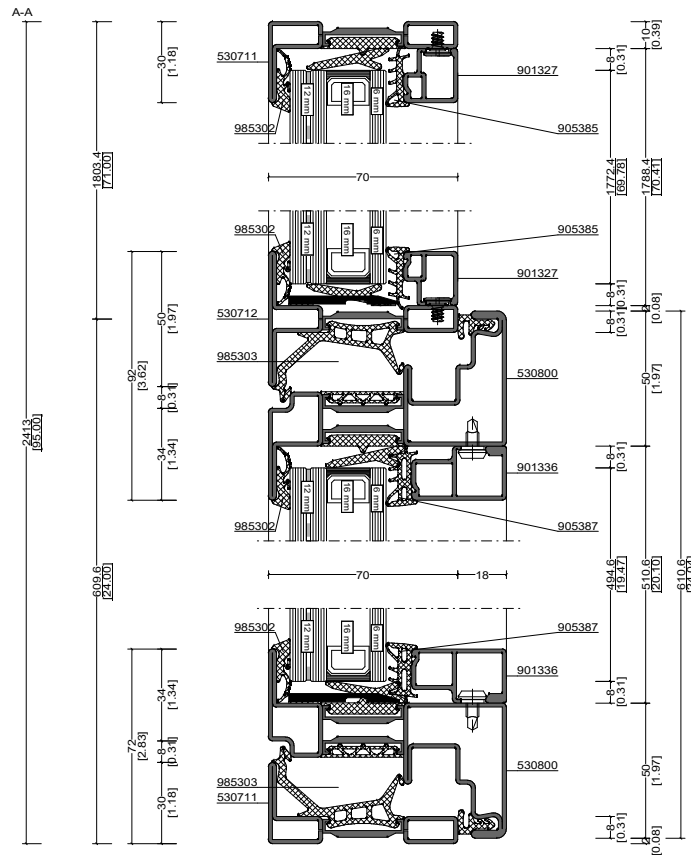
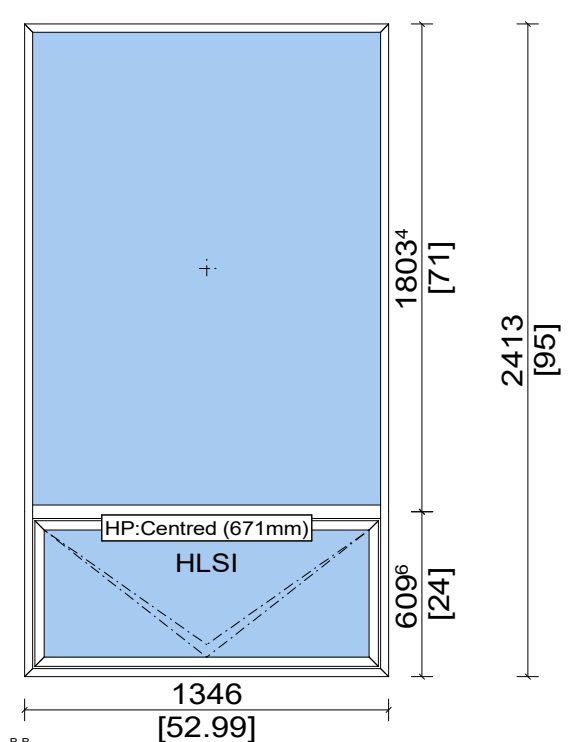
Job: 134 Charles Str.

System: forster unico/unico XS XS Standard Aluminium XS Hi Dry

Exterior View

- 1x 987184 RC2 tilt fitting, RC2, FFB 1201-1600 / FFH 350-1200
- 3x 987605 set cover caps titan (for 5 tilt only leaf)
- 1x 987302 window handle, lockable, aluminium, colourless anodized E6 E

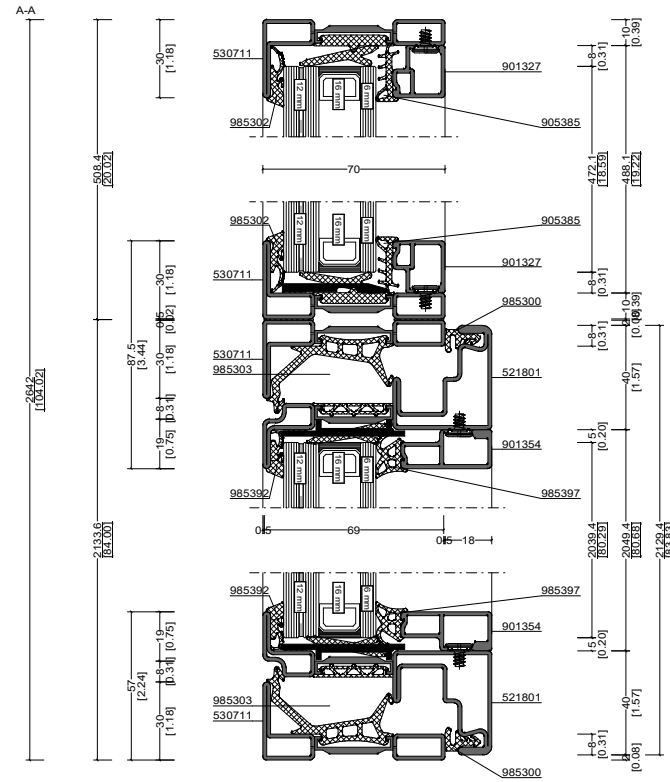
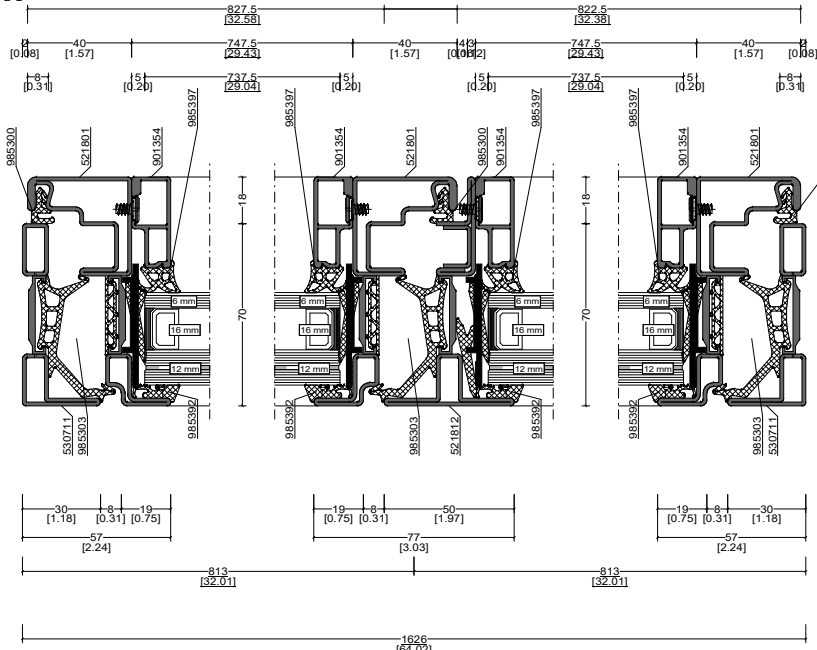
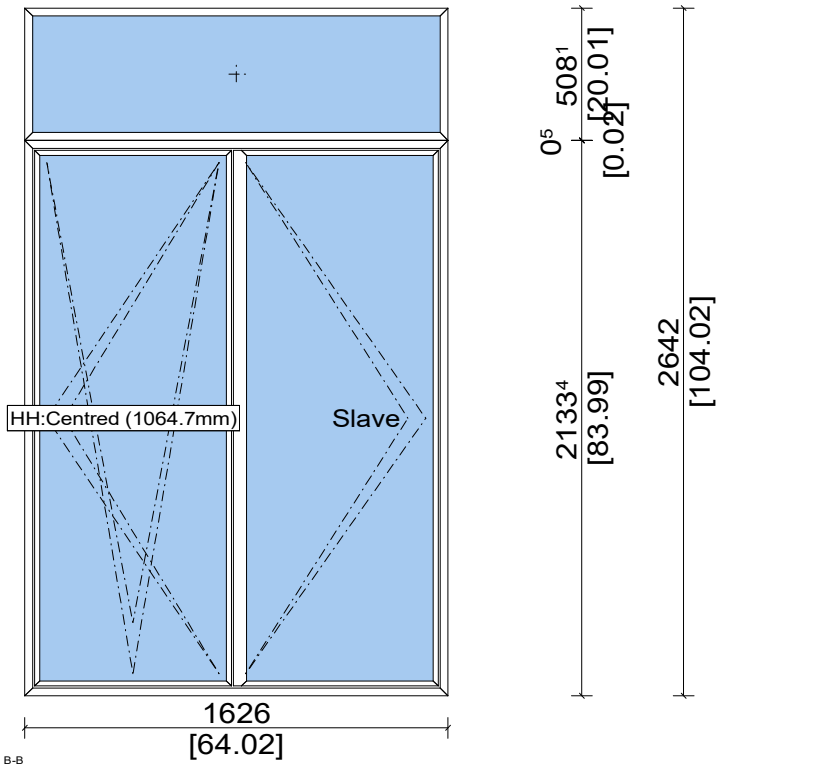
Window Type - W-12 H



Pos. 013, Quantity: 2
 W-13, TYPE-I
 Finish: RAL 1000
 Job: 134 Charles Str.
 System: forster unico/unico XS XS Standard Aluminium XS Hi Dry
 Exterior View

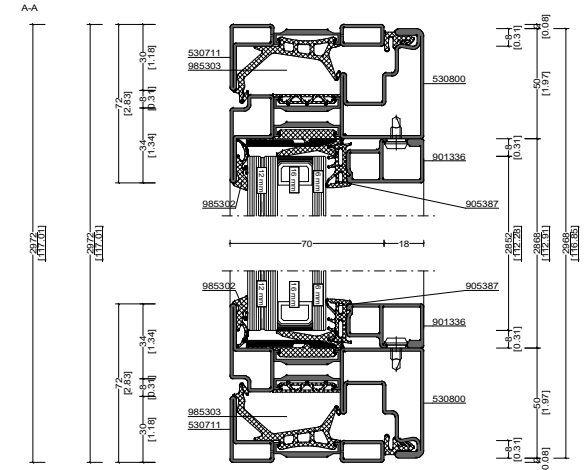
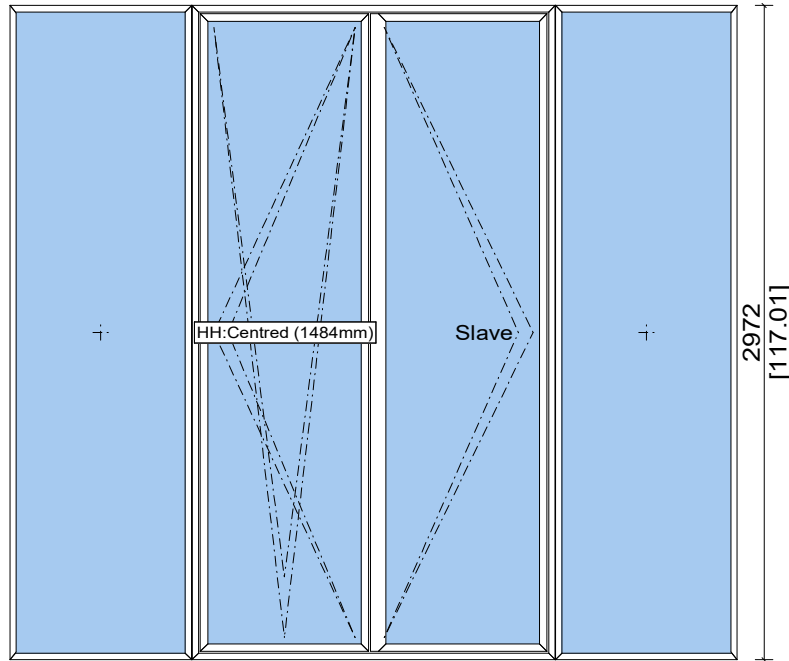
1x 987929 R RC2 double glass fitting, concealed, unico XS, RC2, SFB 601-800 /
 1x 987136 R RC2 set turn/tilt and turn fitting, concealed, unico XS, RC2, FF
 1x 987302 window handle, lockable, aluminium, colourless anodized E6 E

Window Type - W-13 I

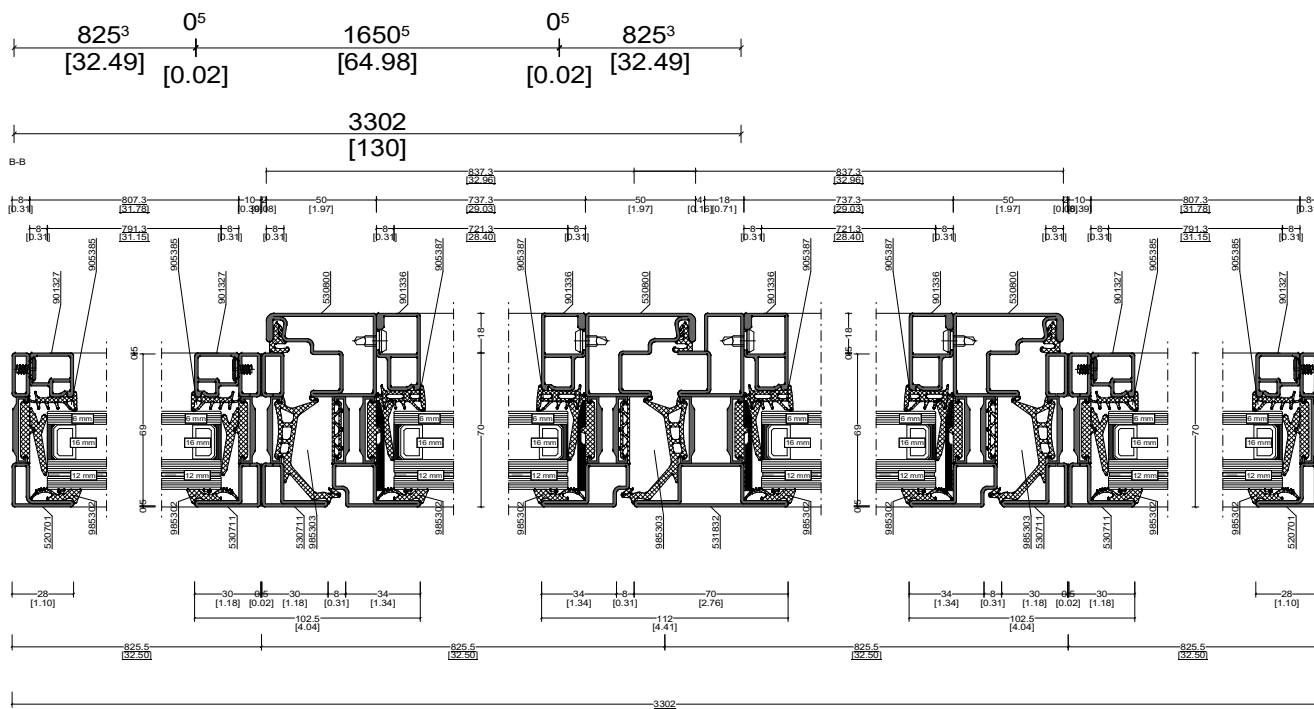


Pos. 014, Quantity: 2
 W-14, TYPE-IA
 Finish: RAL 1000
 Job: 134 Charles Str.
 System: forster unico/unico XS XS Standard Aluminium XS Hi Dry
 Exterior View

- 1x 987929 RC2 double sash fitting, RC1 / RC2, FFB 601-800 / FFH 2001-2400,
- 2x 987602 set cover caps titan (for 5 turn/tilt and turn leaf)
- 1x 987302 window handle, lockable, aluminium, colourless anodized E6 E
- 1x 987136 RC2 set turn/tilt and turn fitting, RC2, FFB 601-800 / FFH 2001-



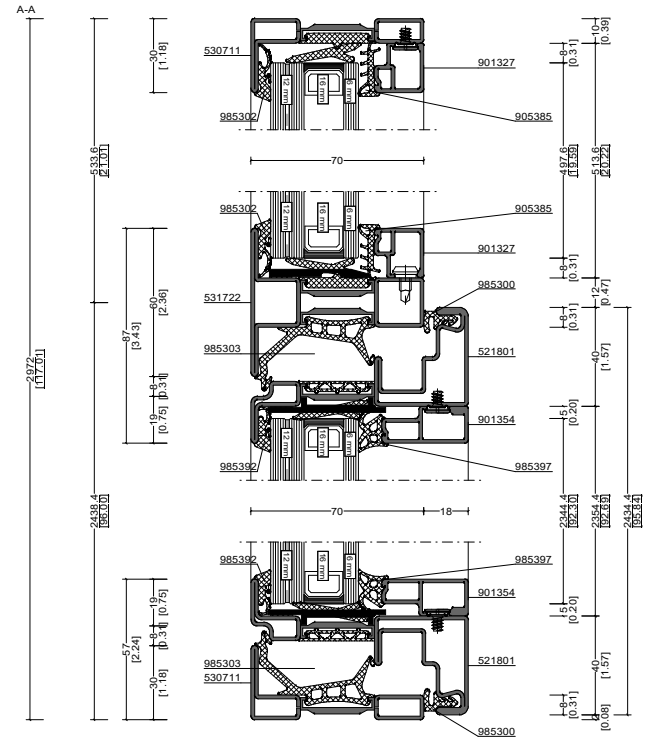
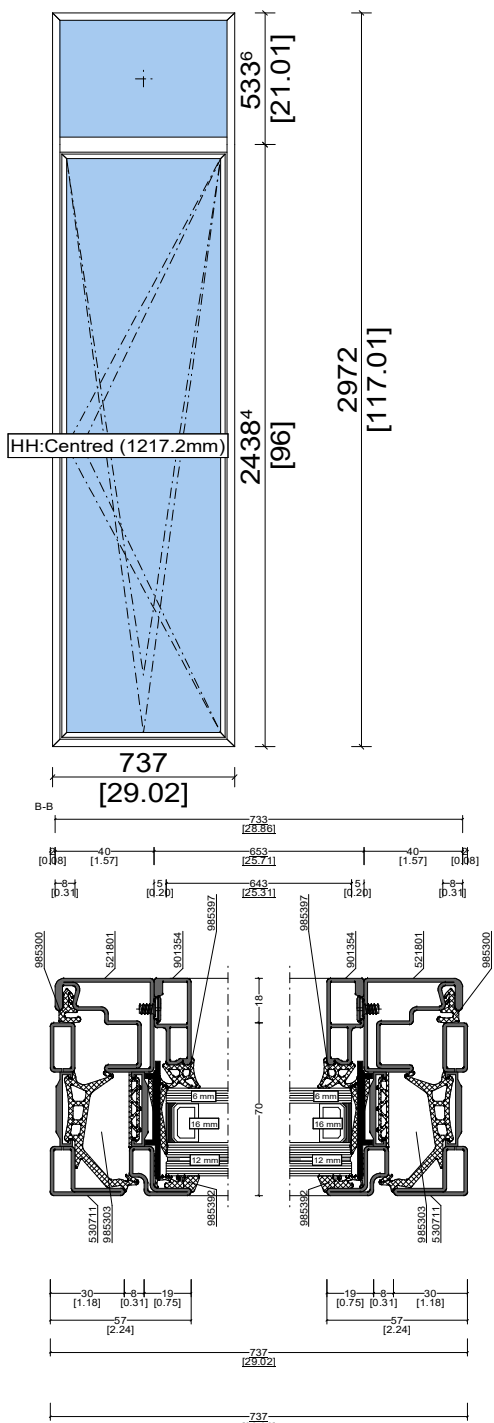
Window Type - W-14 I



Pos: 015, Quantity: 2
 W-15, TYPE-J
 Finish: RAL 1000
 Job: 134 Charles Str.
 System: forster unico/unico XS XS Standard Aluminium XS Hi Dry
 Exterior View

1x 987136 R RC2 set turn/tilt and turn fitting, unico XS, RC2, FF
 1x 987302 window handle, lockable, aluminium, colourless anodized E6 E

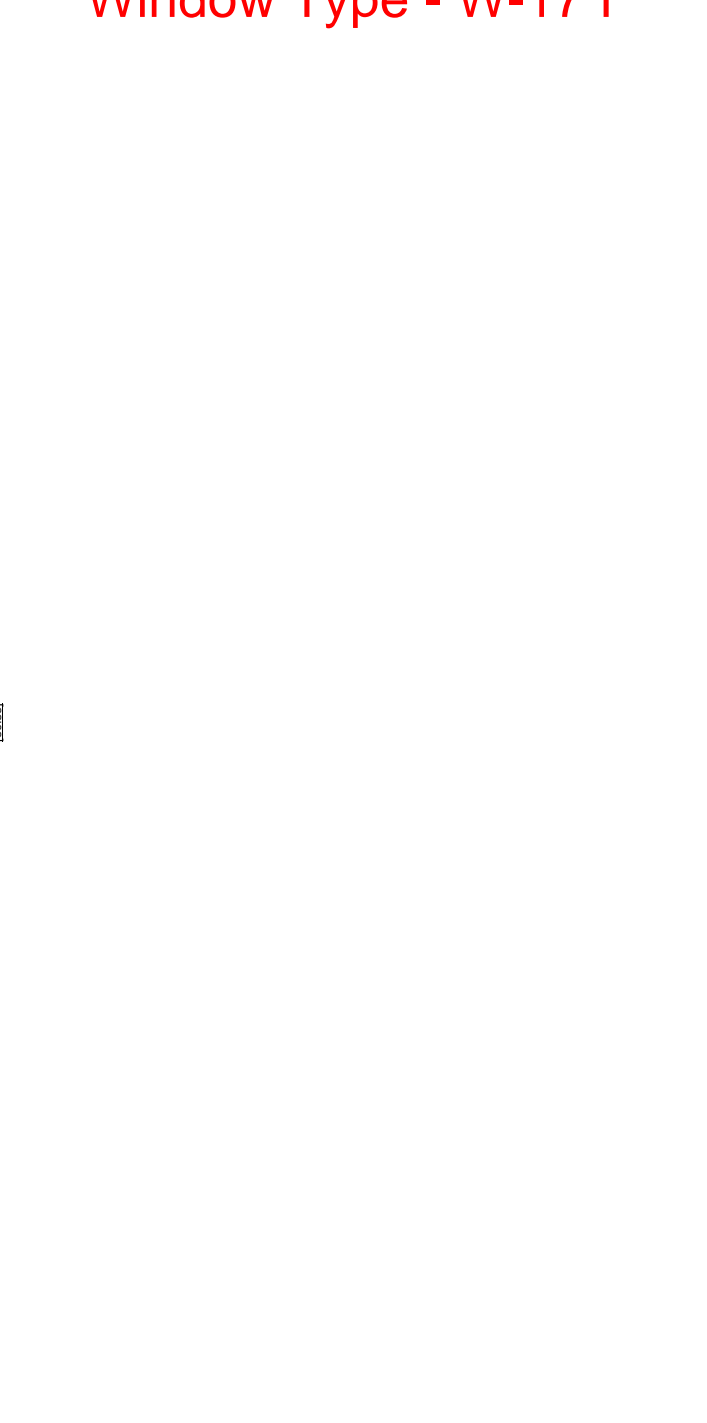
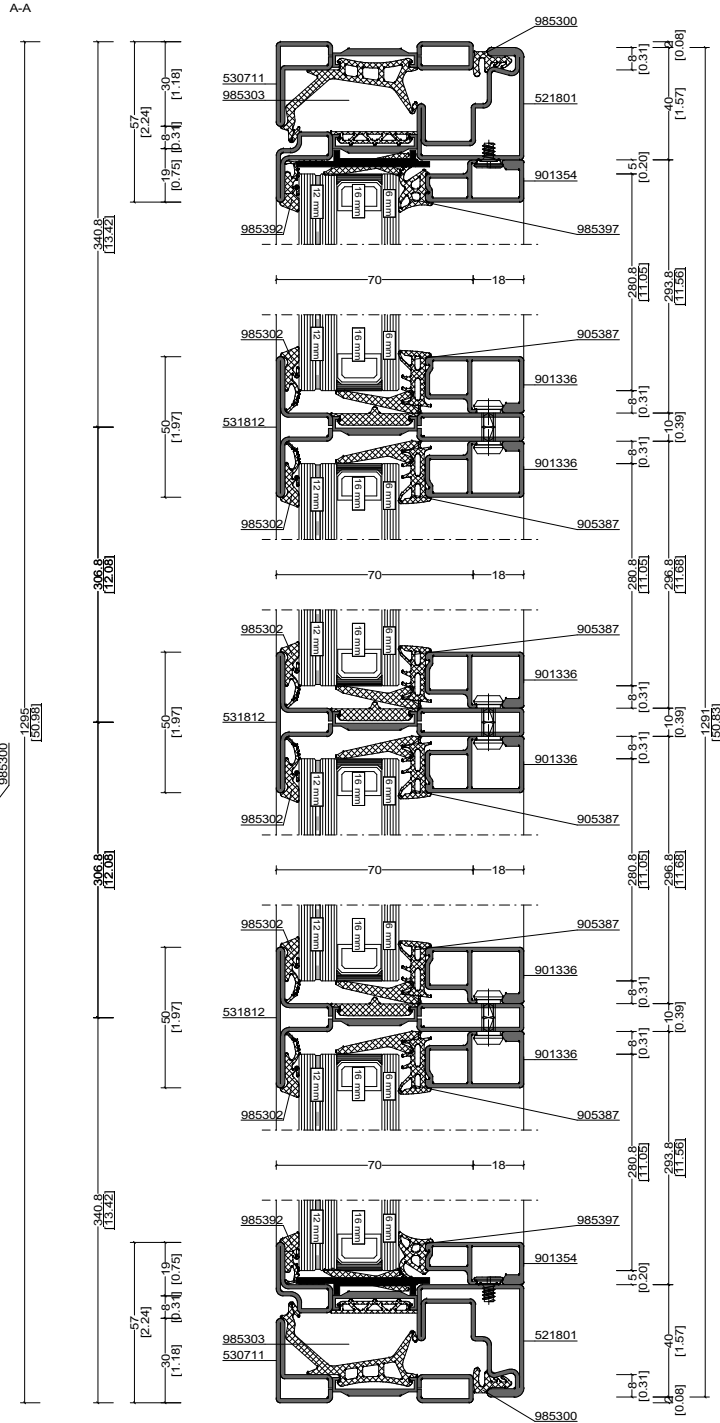
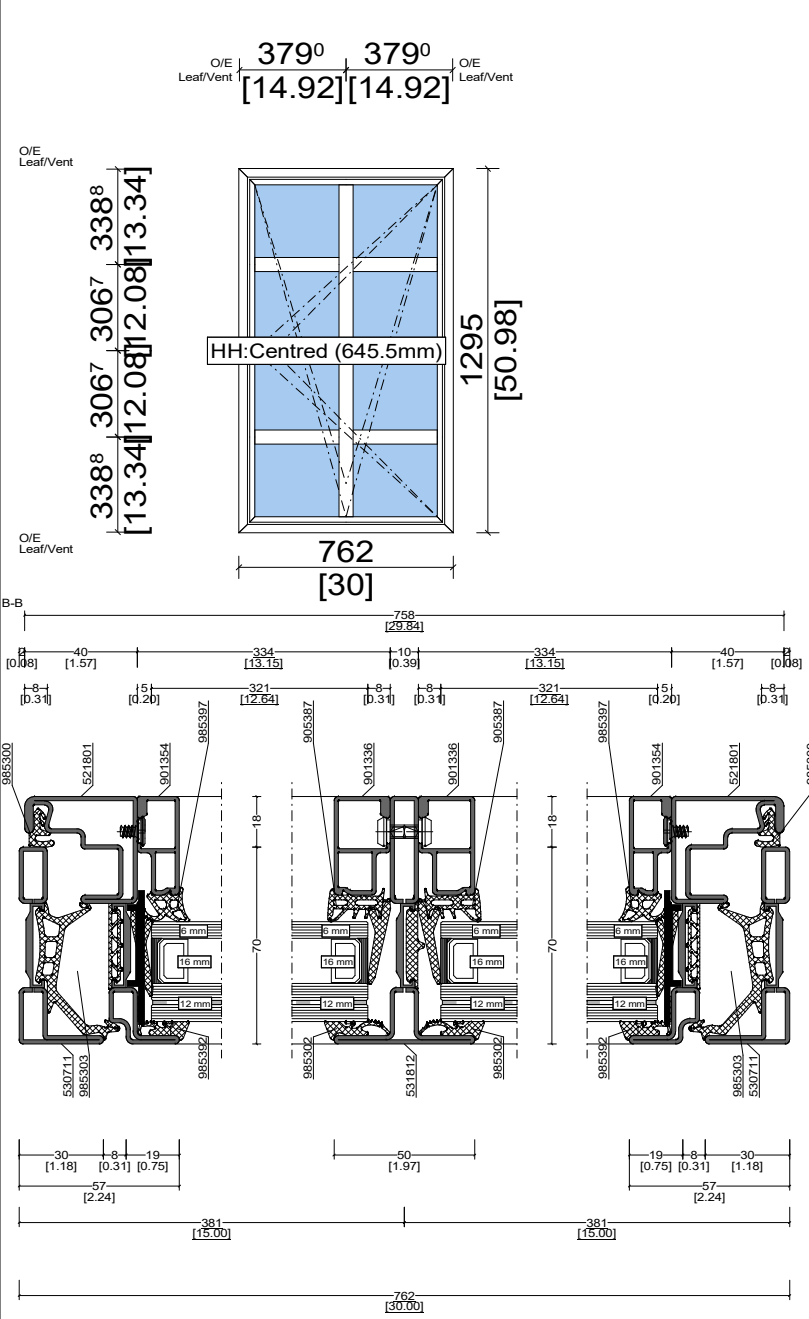
Window Type - W-15 J



Pos. 017, Quantity: 1
 W-17, TYPE-F
 Finish: RAL 1000
 Job: 134 Charles Str.
 System: forster unico/unico XS XS Standard Aluminium XS Hi Dry
 Exterior View

1x 987302 window handle, aluminium, colourless anodized E6 E
 1x 987132 R RC2 set turn/tilt and turn fitting, concealed, unico XS, RC2, FF

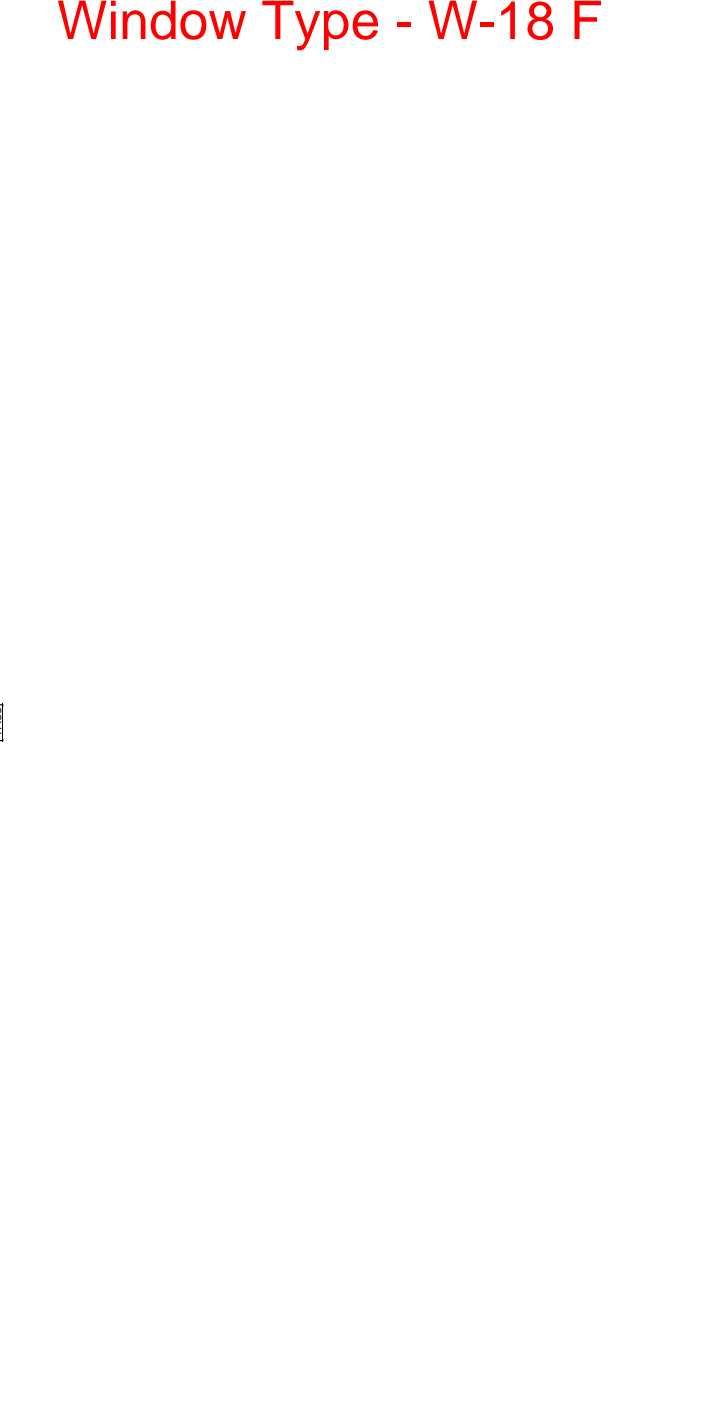
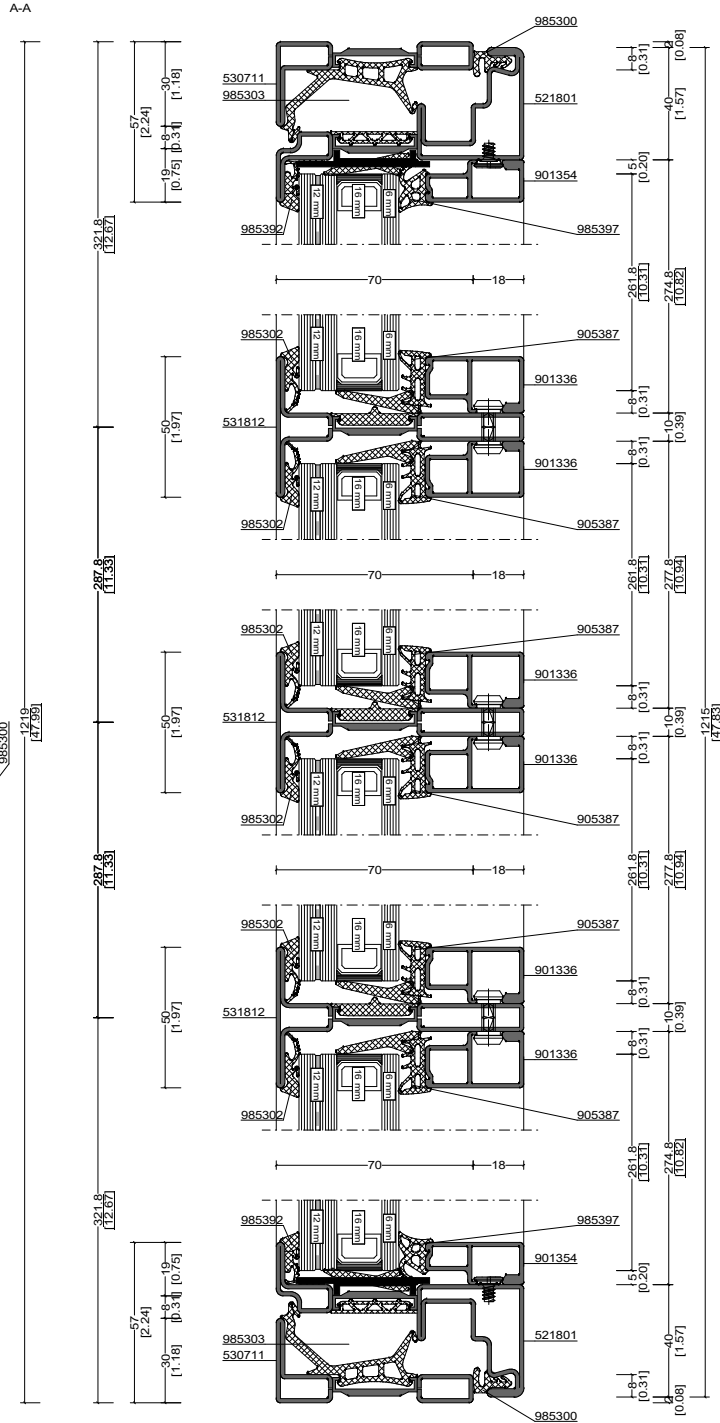
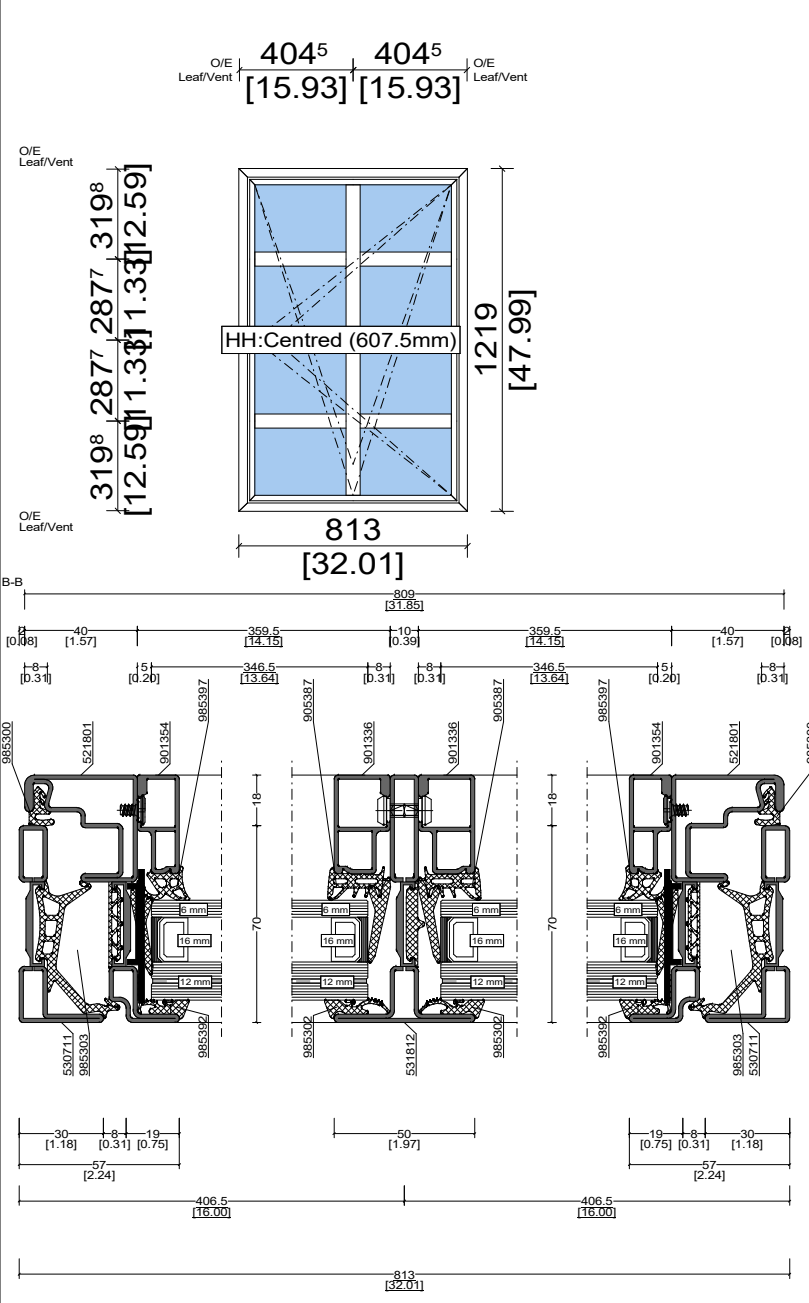
Window Type - W-17 F



Pos. 018, Quantity: 1
 W-18, TYPE-F
 Finish: RAL 1000
 Job: 134 Charles Str.
 System: forster unico/unico XS XS Standard Aluminium XS Hi Dry
 Exterior View

1x 987302 window handle, aluminium, colourless anodized E6 E
 1x 987130 R RC2 set turn/tilt and turn fitting, concealed, unico XS, RC2, FF

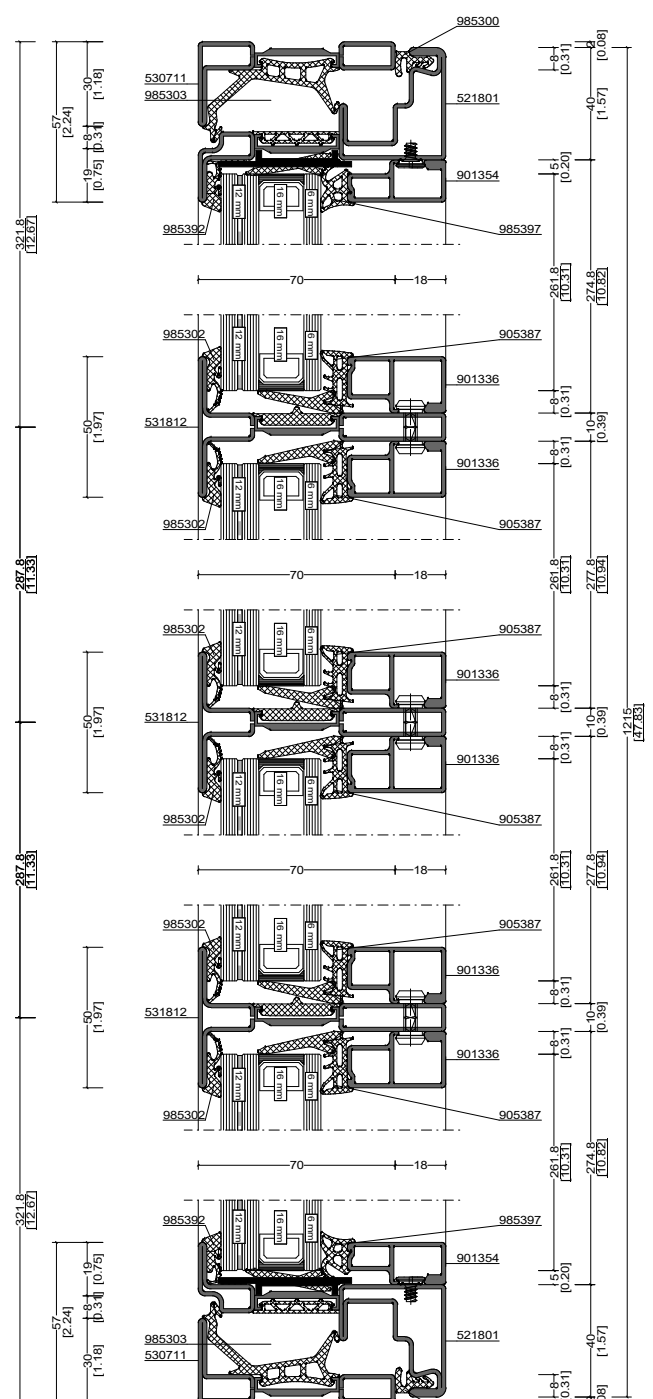
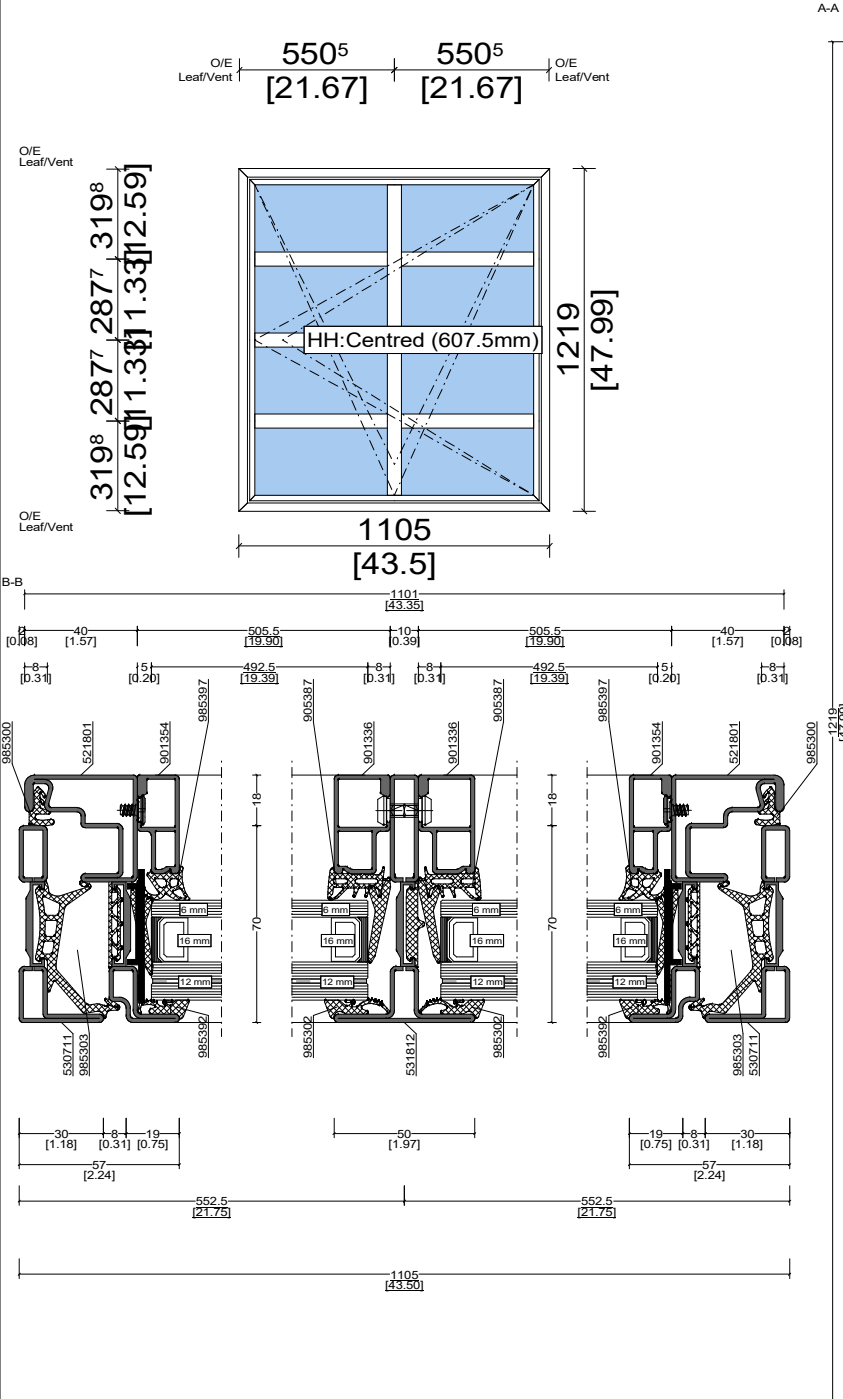
Window Type - W-18 F



Pos. 019, Quantity: 1
 W-19, TYPE-F
 Finish: RAL 1000
 Job: 134 Charles Str.
 System: forster unico/unico XS XS Standard Aluminium XS Hi Dry
 Exterior View

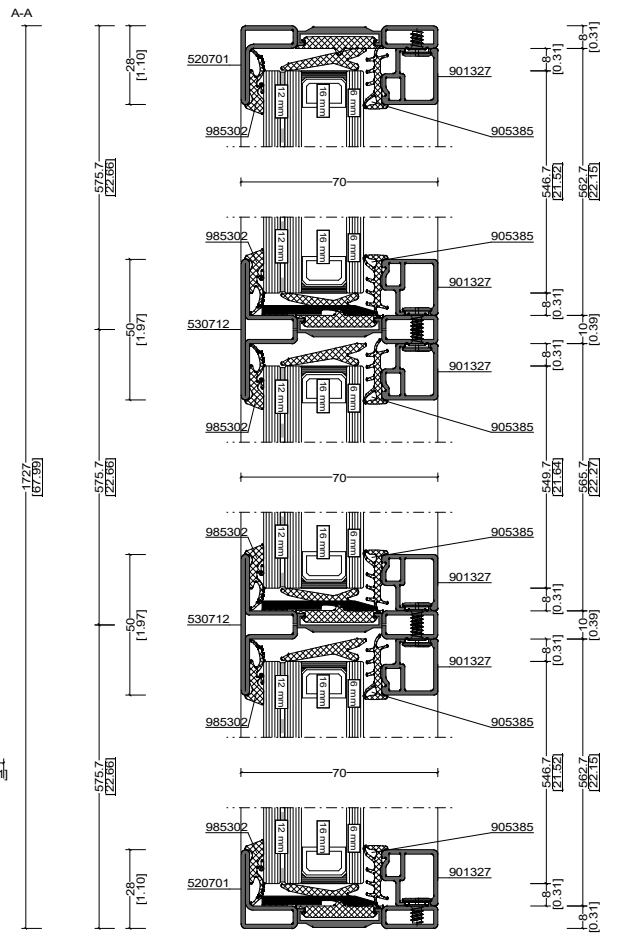
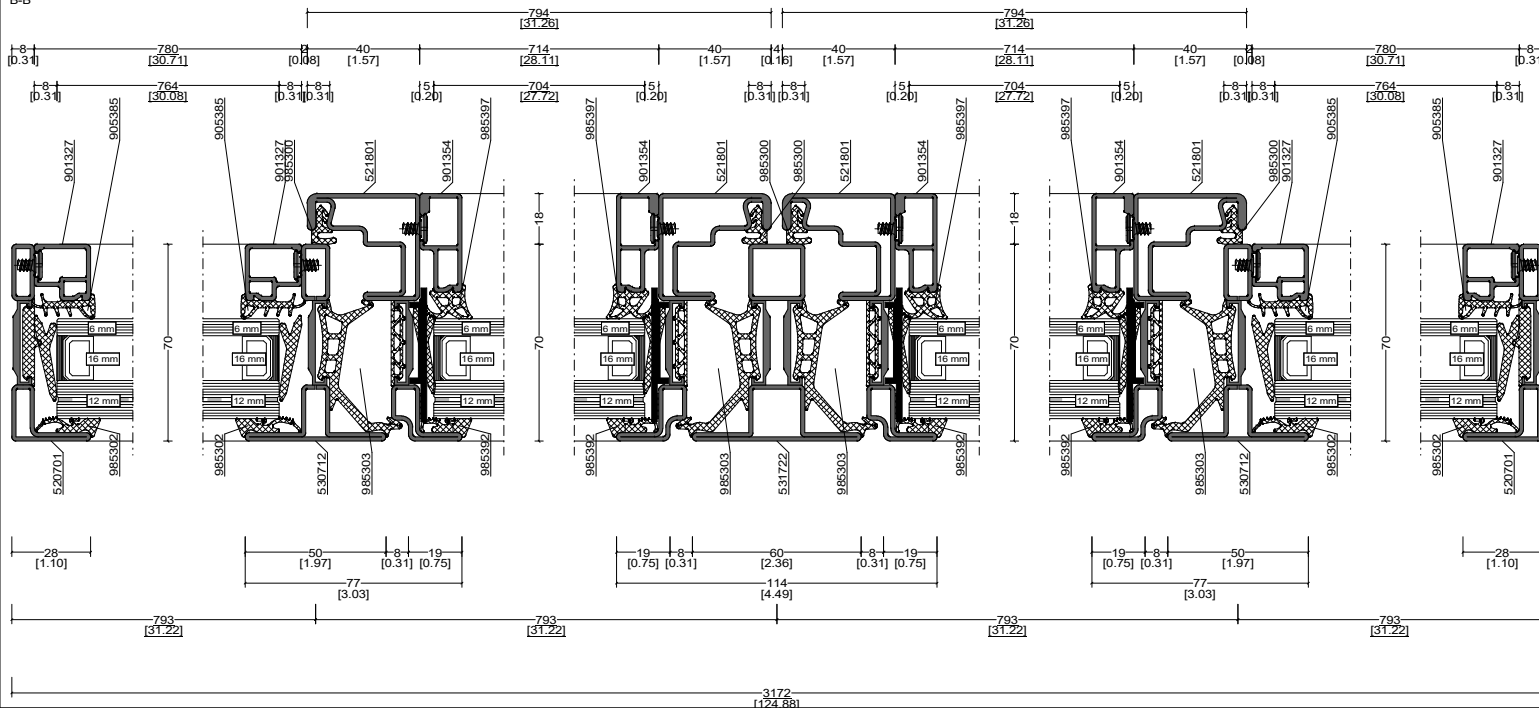
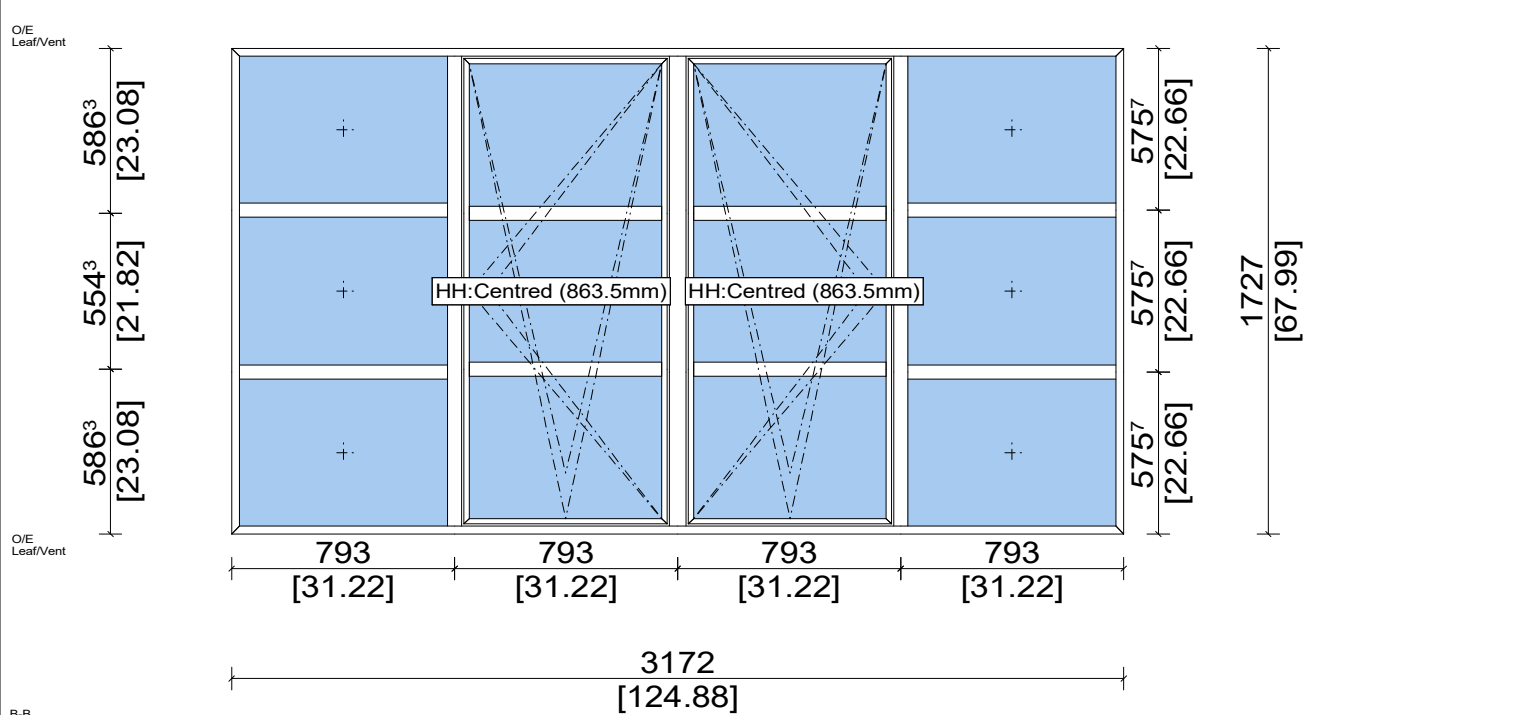
1x 987154 R RC2 set turn/tilt and turn fitting, concealed, unico XS, RC2, FF
 1x 987302 window handle, lockable, aluminium, colourless anodized E6 E

Window Type - W-19 F



Pos. 020, Quantity: 1
 W-20, TYPE-L
 Finish: RAL 1000
 Job: 134 Charles Str.
 System: forster unico/unico XS XS Standard Aluminium XS Hi Dry
 Exterior View

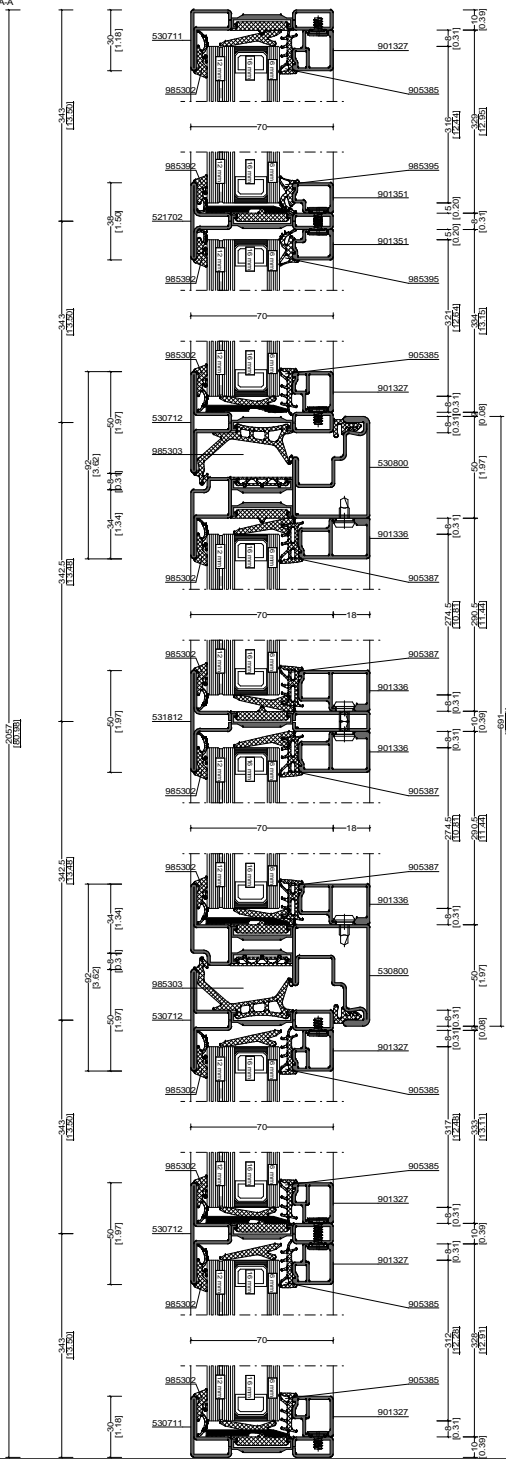
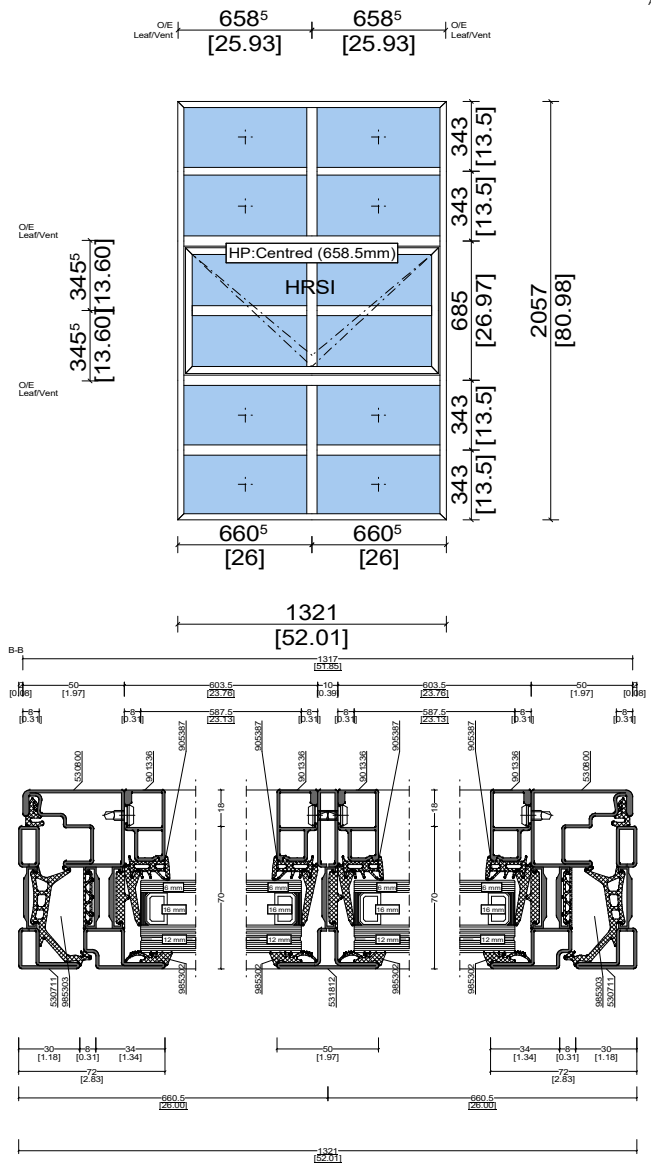
2x 987302 window handle, aluminium, colourless anodized E6 E
 1x 987134 R RC2 set turn/tilt and turn fitting, concealed, unico XS, RC2, FF
 1x 987133 R RC2 set turn/tilt and turn fitting, concealed, unico XS, RC2, FF



Window Type - W-20 L

Pos. 021, Quantity: 2
 W-21, TYPE-M
 Finish: RAL 1000
 Job: 134 Charles Str.
 System: forster unico/unico XS XS Standard Aluminium XS Hi Dry
 Exterior View

- 1x 987184 RC2 tilt fitting, RC2, FFH 1201-1600 / FFH 350-1200
- 3x 987605 set cover caps titan (for 5 tilt only leaf)
- 1x 987302 window handle, lockable, aluminium, colourless anodized E6 E



Window Type - W-21 M

